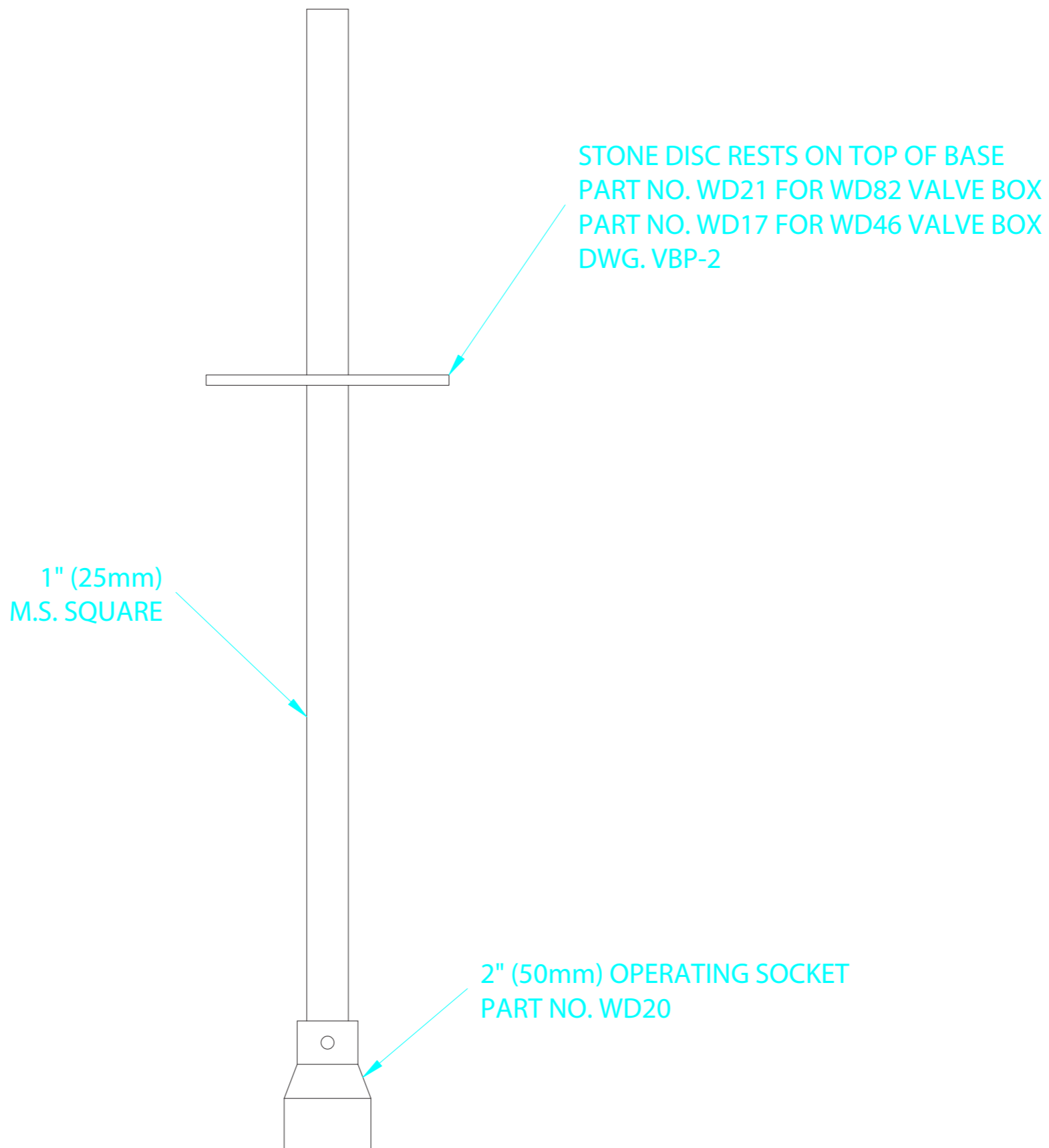



MATERIAL:

- 1) STONE DISC & OPERATING SOCKET - GRAY IRON
ASTM A48, GR. 30B
- 2) 25mm (1") SQUARE STEEL - STRUCTURAL STEEL
CSA G40.21



NOTES:

- 1) STD. SPINDLE LENGTH 2.08M (82"). OTHER LENGTHS AVAILABLE ON REQUEST.
- 2) SEE DWG. NO. VBK-1 FOR OPERATING KEY.

SQUARE VALVE SPINDLE		
 1036 Waverley Street Winnipeg Manitoba Canada R3T 0P3 P 204 896 1333 F 204 896 6969	APP'D BY: WDP	DATE: 08/06/02
	SCALE: N.T.S.	REV. NO: 00
	DWG. NO: VBS-2	