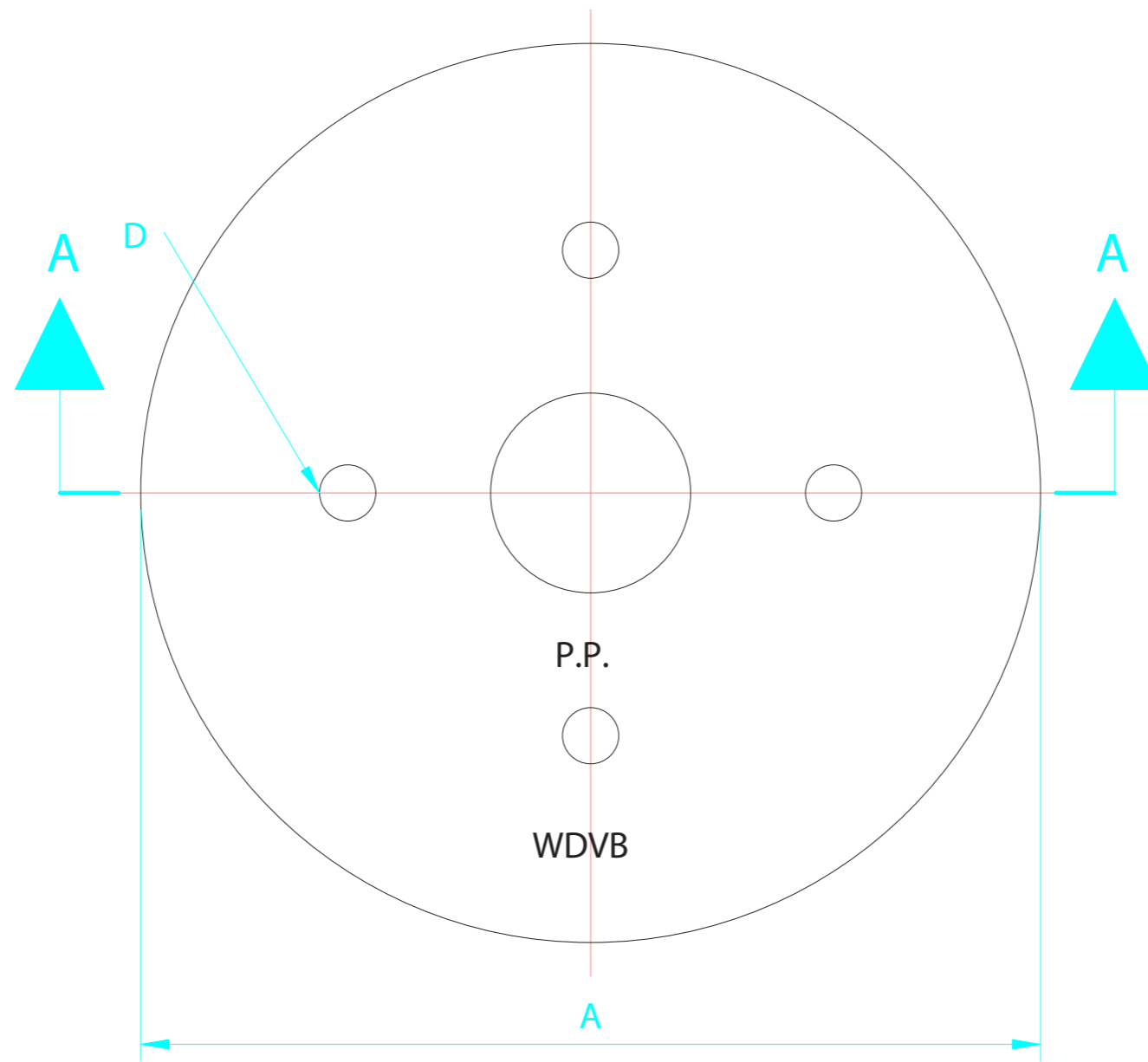
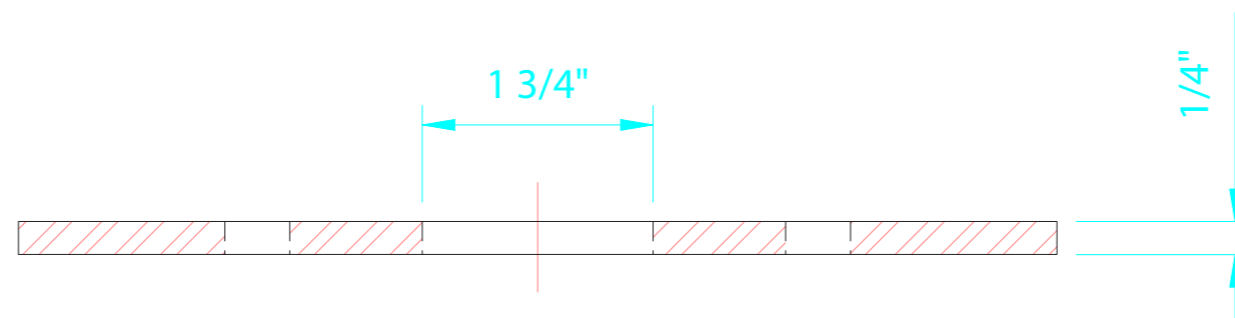


MATERIAL:

PLASTIC



PLAN



SECTION A-A

| VALVE BOX NO. | A INS. | D INS. |
|---------------|--------|--------|
| WD46 | 7 7/8" | 1" |
| WD82 | 7 1/8" | 1/4" |

VALVE BOX CENTERING DISC



Valve Boxes
Ltd.

1036 Waverley Street
Winnipeg Manitoba Canada R3T 0P3
P 204 896 1333 F 204 896 6969

APP'D BY:

WDP

DATE:

08/06/02

SCALE:

N.T.S.

REV. NO:

00

DWG. NO:

VBP-9