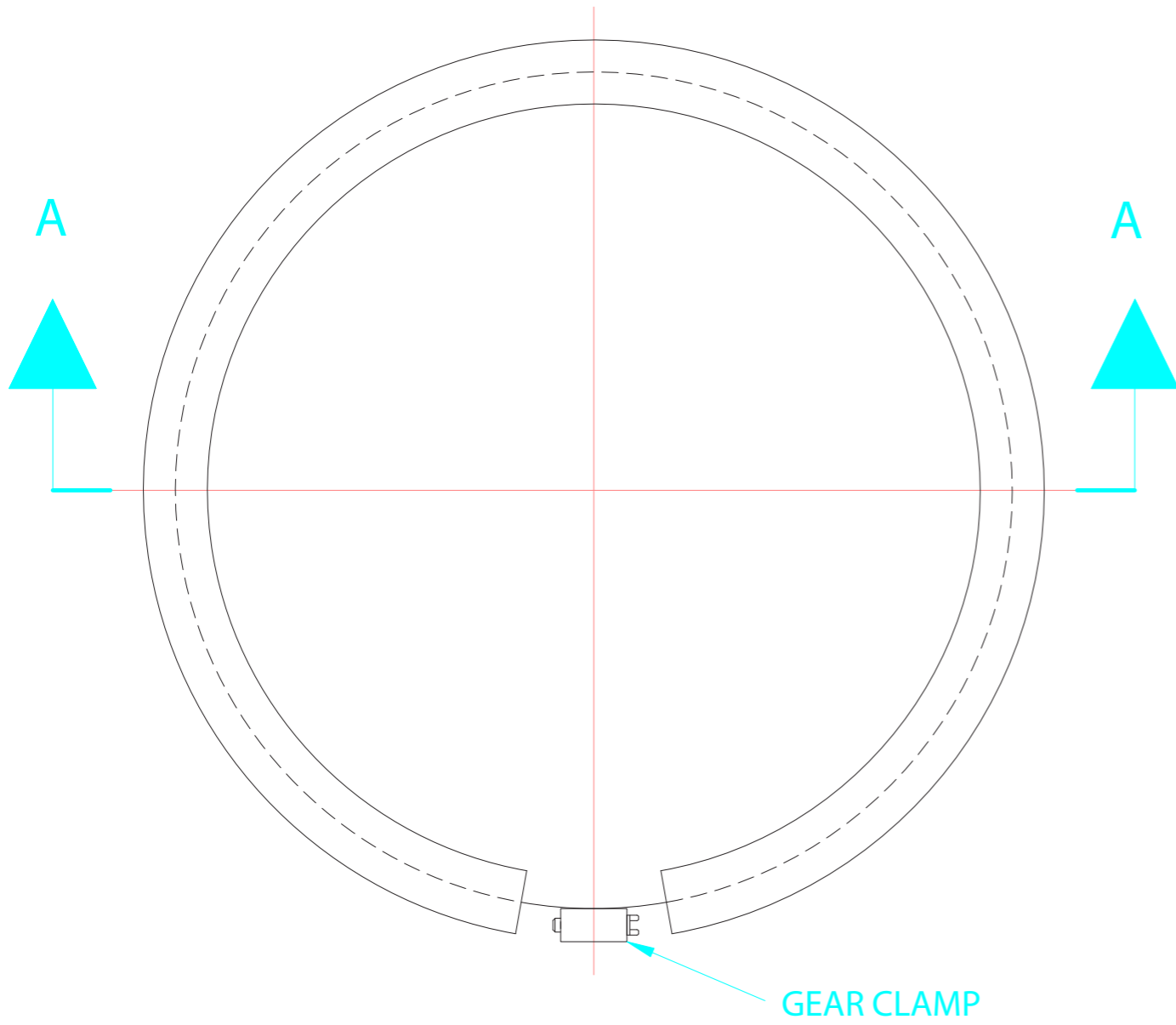
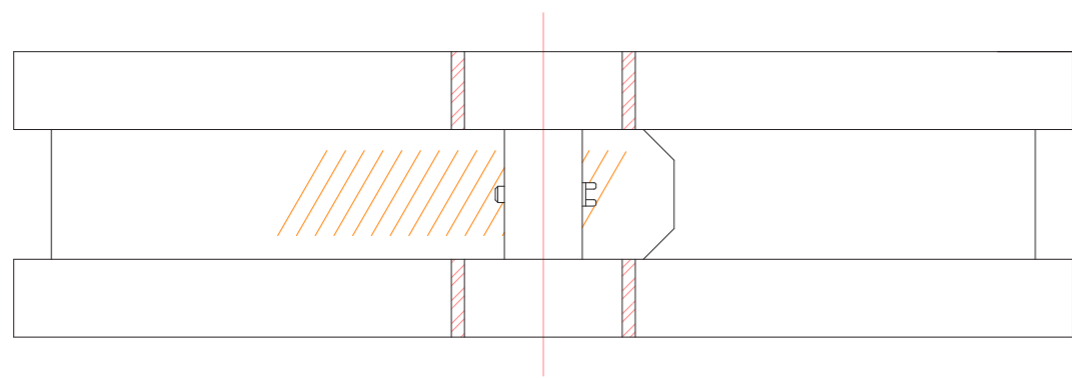


MATERIAL:

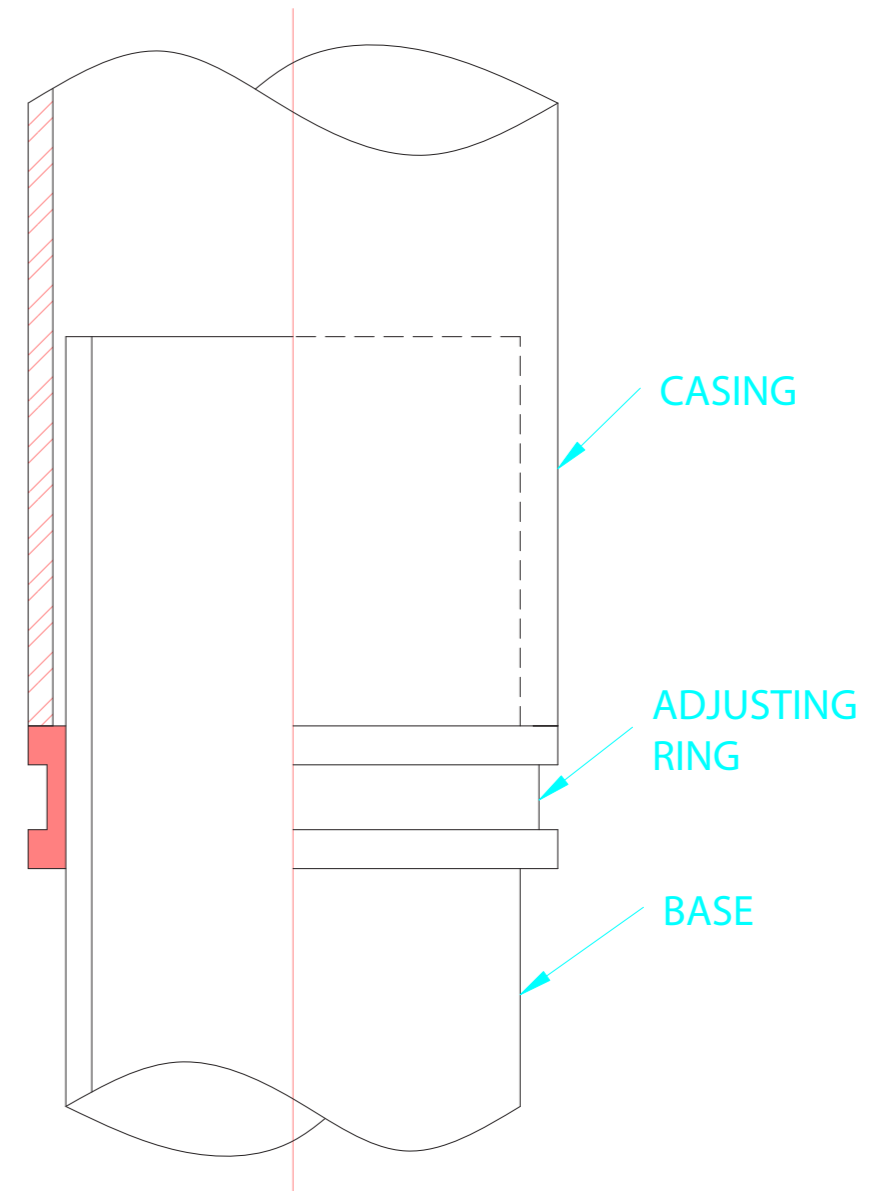
- 1) RUBBER 60 DURO SBR
- 2) STAINLESS STEEL CLAMP
- 3) CADIUM PLATED SCREW



PLAN



FRONT



SECTION A-A

NOTE:

THE ADJUSTMENT RING IS USED TO HOLD THE VALVE BOX CASING AT THE PROPER ELEVATION.

WD82 VALVE BOX ADJUSTING RING



Valve Boxes
Ltd.

1036 Waverley Street
Winnipeg Manitoba Canada R3T 0P3
P 204 896 1333 F 204 896 6969

APP'D BY:

WDP

DATE:

08/06/02

SCALE:

N.T.S.

REV. NO:

00

DWG. NO:

VBP-8