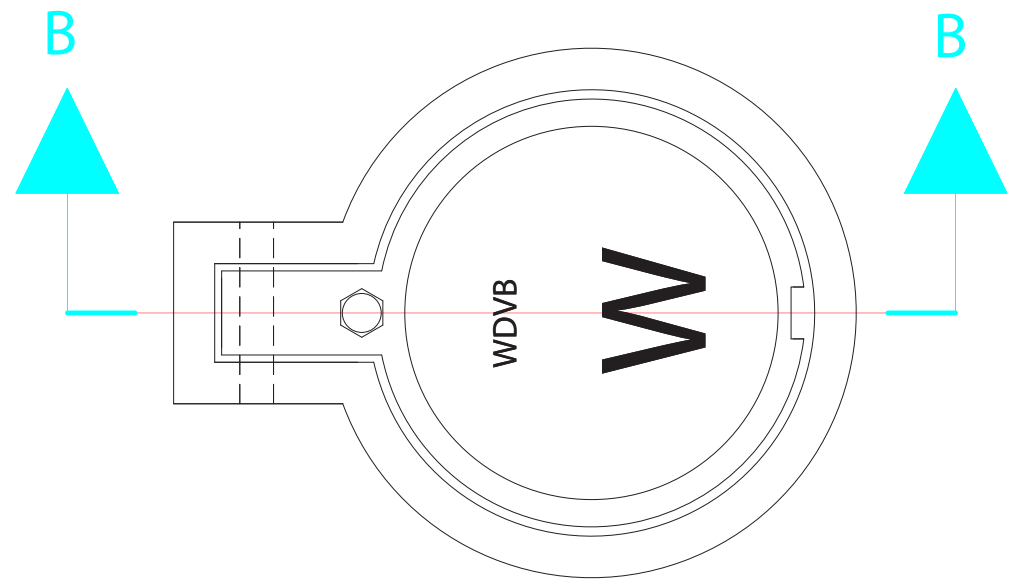
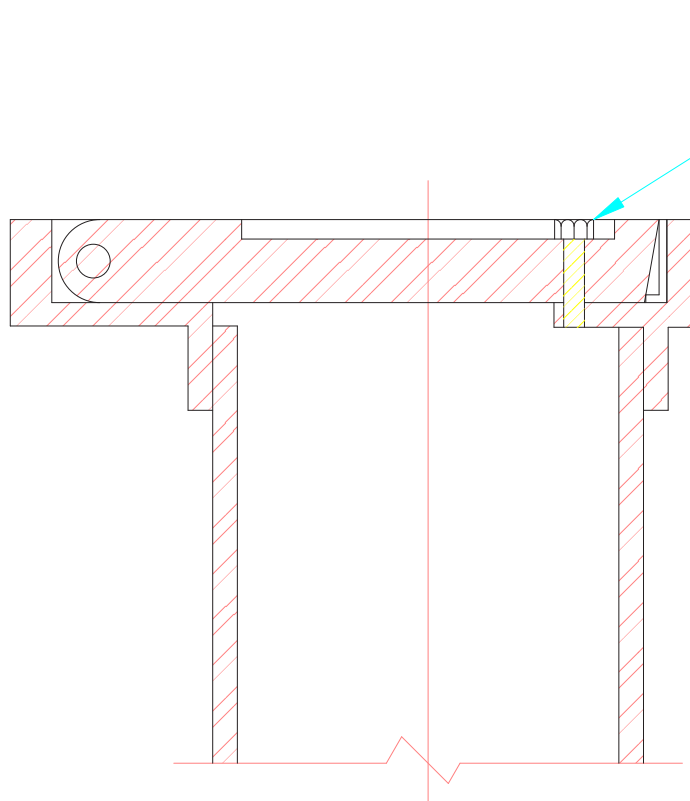


PLAN - TYPE 1

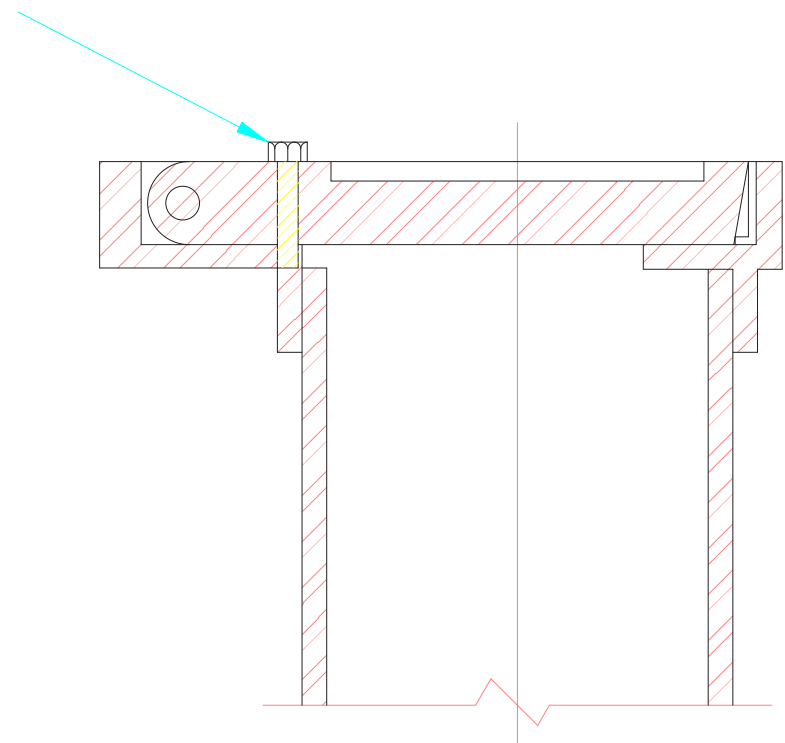


PLAN - TYPE 2



SECTION A-A

1/4" x 2 SS  
CAP SCREWS



SECTION B-B

NOTE:

TYPE 2 NORMALLY SUPPLIED.

**LOCKING COVER FOR  
WD46 & WD82 VALVE BOXES**

**WD**  
Valve Boxes  
Ltd.  
1036 Waverley Street  
Winnipeg Manitoba Canada R3T 0P3  
P 204 896 1333 F 204 896 6969

APP'D BY: <b>WDP</b>	DATE: <b>08/06/02</b>
SCALE: <b>N.T.S.</b>	REV. NO: <b>00</b>
DWG. NO: <b>VBL-1</b>	