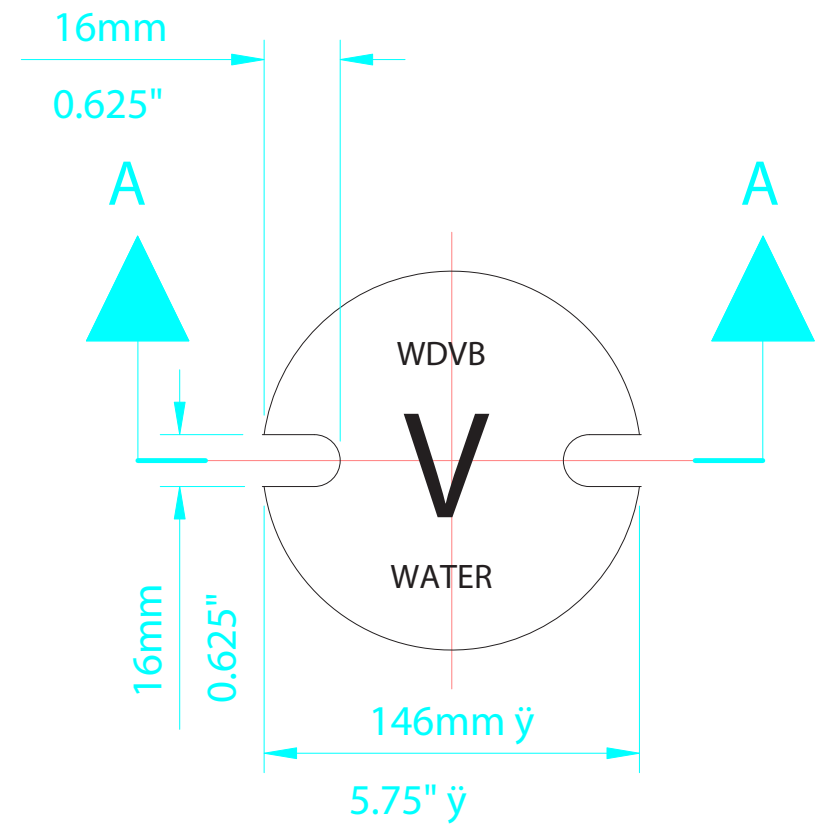
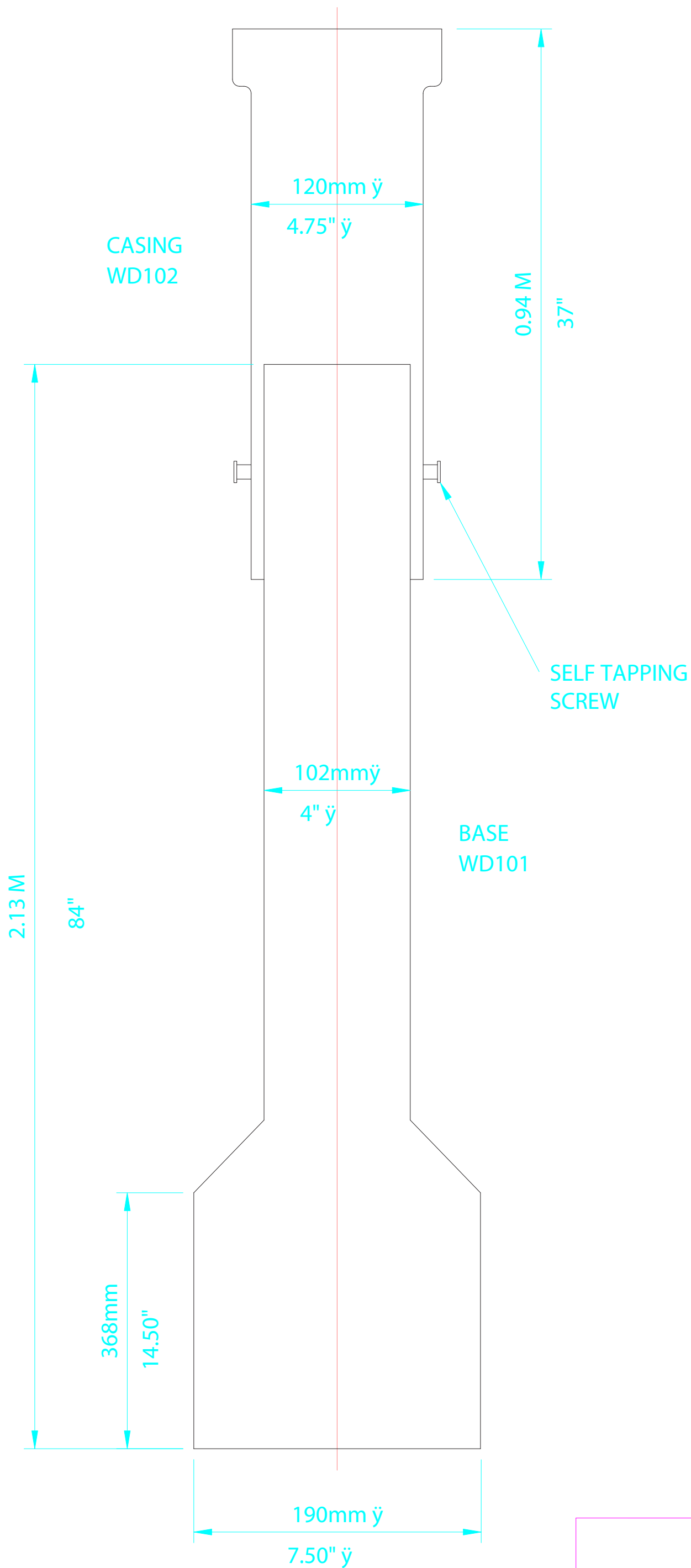
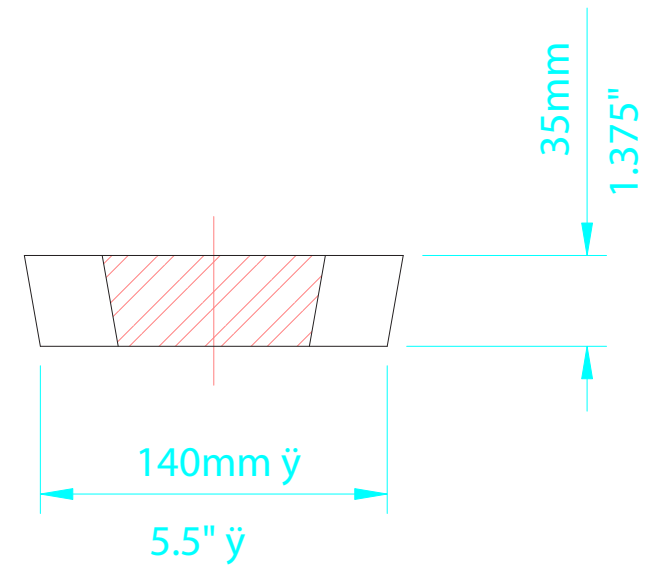


MATERIAL:

- 1) WD66 COVER - CAST IRON
- 2) CASING & BASE - POLYETHYLENE SDR 18



PLAN



WD66 COVER - SECTION A-A

SECTION A-A

**POLYETHYLENE
VALVE BOX**



**Valve Boxes
Ltd.**

1036 Waverley Street
Winnipeg Manitoba Canada R3T 0P3
P 204 896 1333 F 204 896 6969

APP'D BY:

WDP

DATE:

08/06/02

SCALE:

N.T.S.

REV. NO:

00

DWG. NO:

VB-6