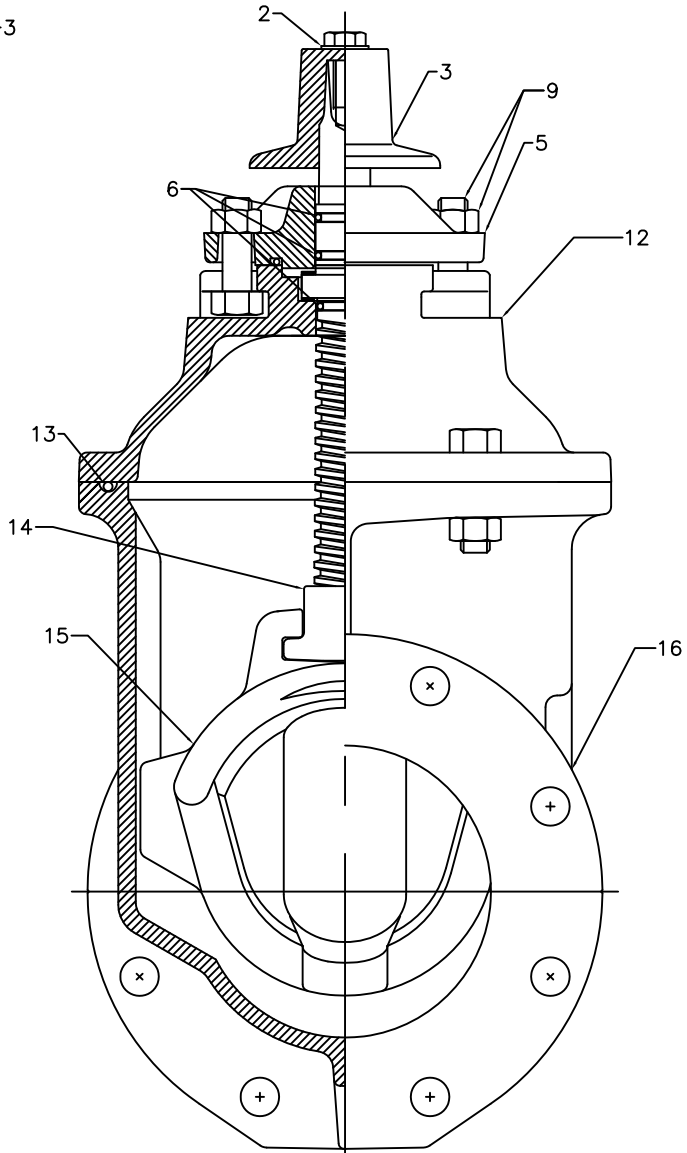
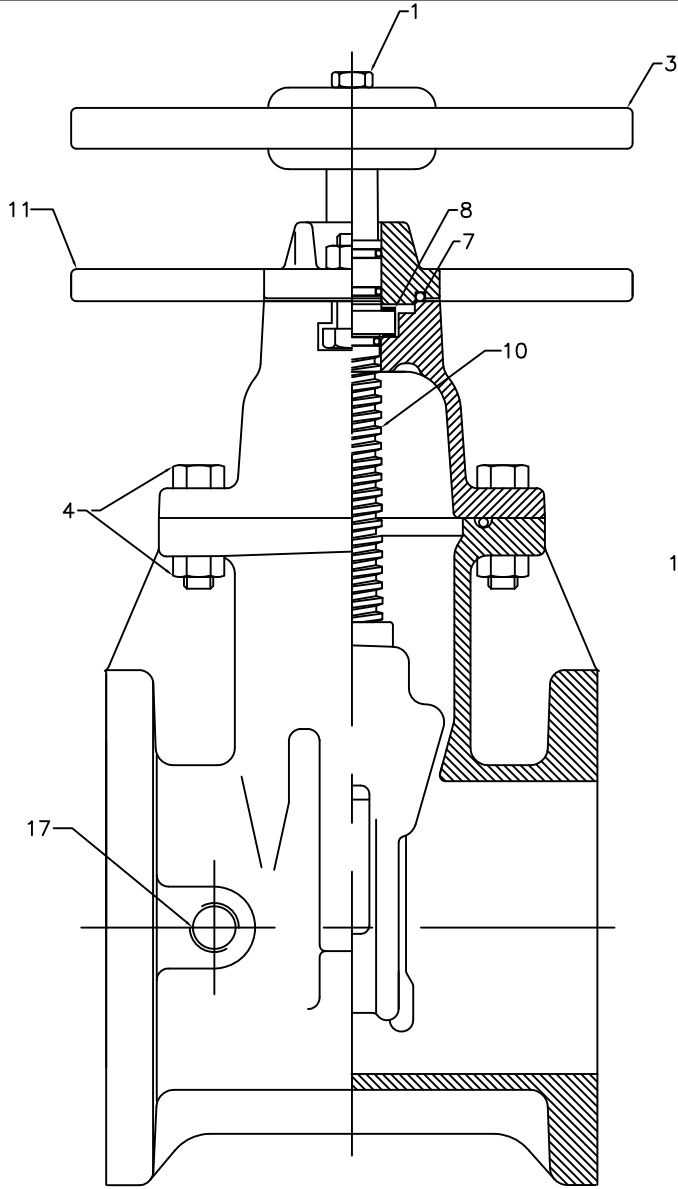


PROJECT
OWNER
CONTRACTOR
DISTRIBUTOR
CONSULTANT
CLOW CANADA

50mm - 300mm R/W NRS FLANGED GATE VALVE MATERIAL LIST
F6102
FUSION EPOXY - NSF 61 AND AWWA C550
COMPLIES WITH AWWA C509



ITEM	DESCRIPTION	MATERIAL	ASTM SPEC.
1	Hex Head Bolt	Stainless Steel	ASTM A307 Gr B
2	Flat Washer	Stainless Steel	ASTM A307 Gr B
3	Operating Nut or Handwheel	Gray Iron	ASTM A126 CI B
4	Hex Head Bolts & Nuts	Stainless Steel	ASTM A307 Gr B
5	Follower Plate	Cast Iron	ASTM 126-B
6	Stem O-Ring	Buna N	---
7	Follower Plate O-Ring/gasket	Buna N	---
8	Thrust Washer Bearing	Delrin	---
9	Hex Head Bolts & Nuts	Stainless Steel	ASTM A307 Gr B
10	Stem	Bronze	ASTM B584 C86700
11	Indicator Post Plate (Optional 3-12")	Ductile Iron	ASTM A536 65-45-12
12	Cover	Cast Iron	ASTM 126-B
13	Cover O-Ring	Buna N	---
14	Stem Nut	Bronze	ASTM B584 C83600
15	Wedge	Gray Iron & SBR	ASTM A126 CI B
16	Body - all types	Cast Iron	ASTM 126-B
17	Pipe Plug (Optional Some Styles)	Stainless Steel	---