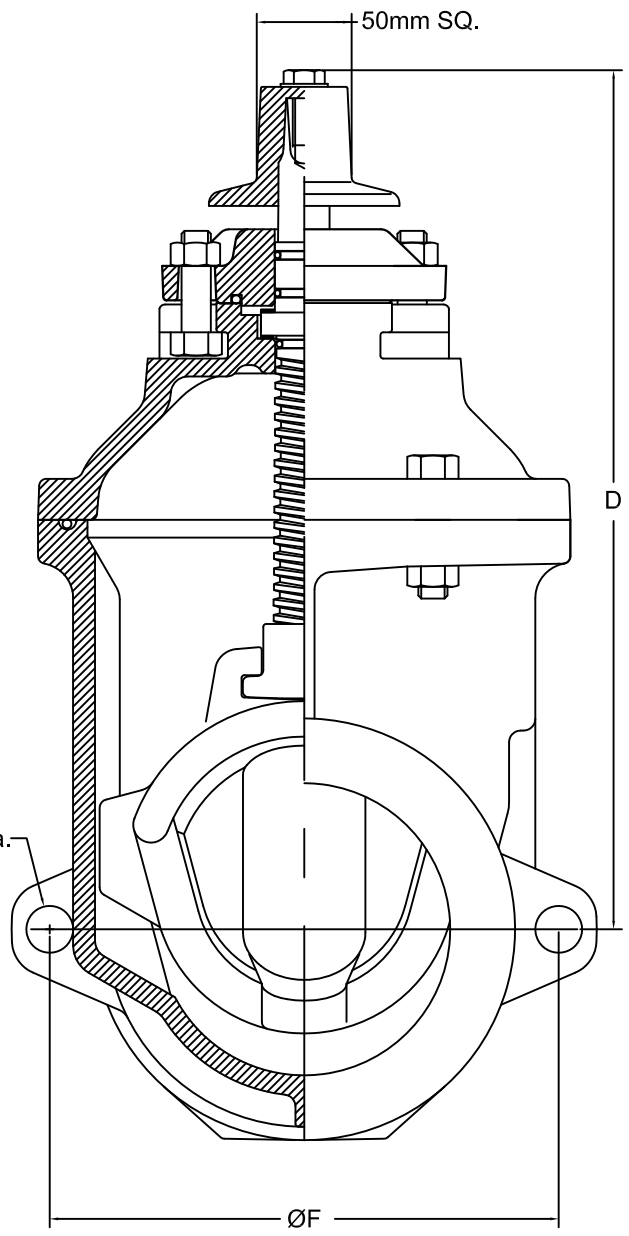
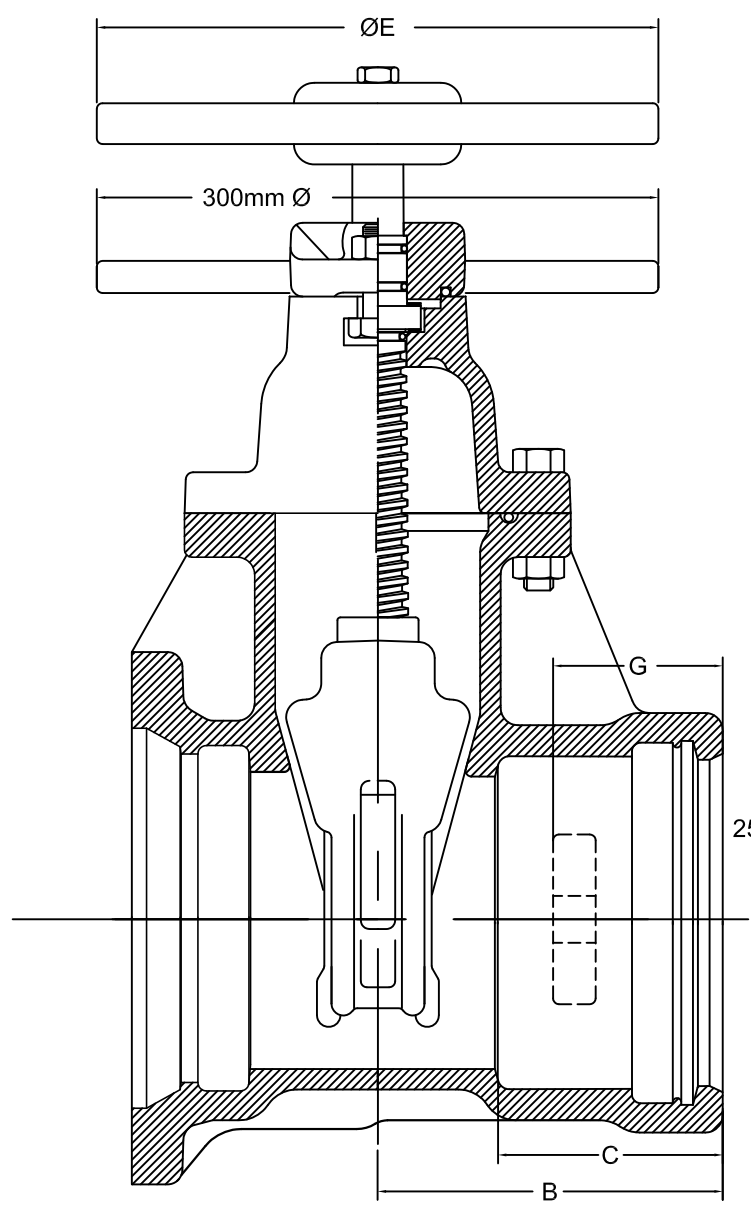


PROJECT
OWNER
CONTRACTOR
DISTRIBUTOR
CONSULTANT
CLOW CANADA

100 - 300 R/W VALVE TYTON x TAPPING NRS GENERAL DIMENSIONS
F6115
FUSION EPOXY - NSF 61 AND AWWA C550
COMPLIES WITH AWWA C509



METRIC DIMENSIONS						
VALVE SIZE	B	C	D	E	F	G
100	165	110	375	250	210	95
150	185	120	480	300	275	95
200	215	145	570	350	325	115
250	245	155	670	450	405	130
300	265	155	760	450	470	135