

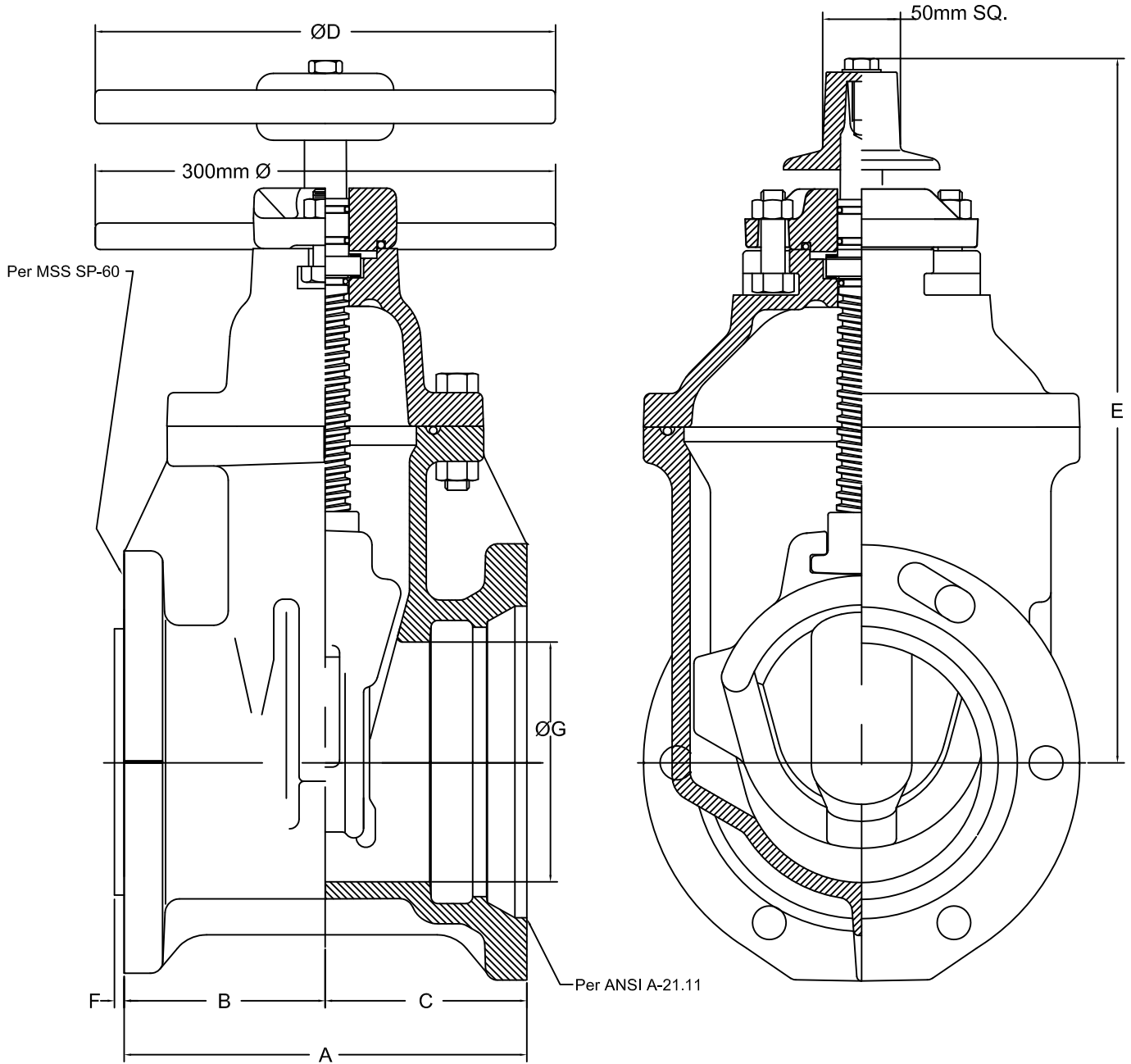
PROJECT
OWNER
CONTRACTOR
DISTRIBUTOR
CONSULTANT

**75 - 300 R/W VALVE NRS  
TAPP x MECHANICAL JOINT ENDS  
GENERAL DIMENSIONS**

F6114

FUSION EPOXY - NSF 61 AND AWWA C550  
COMPLIES WITH AWWA C509

**CLOW CANADA**



METRIC DIMENSIONS							
VALVE SIZE	A	B	C	D	E	F	G
75	210	100	108	250	315	6	75
100	235	115	120	250	375	6	108
150	265	133	133	300	480	7	160
200	335	145	190	350	570	7	210
250	315	165	195	450	675	7	260
300	380	175	200	450	760	7	310