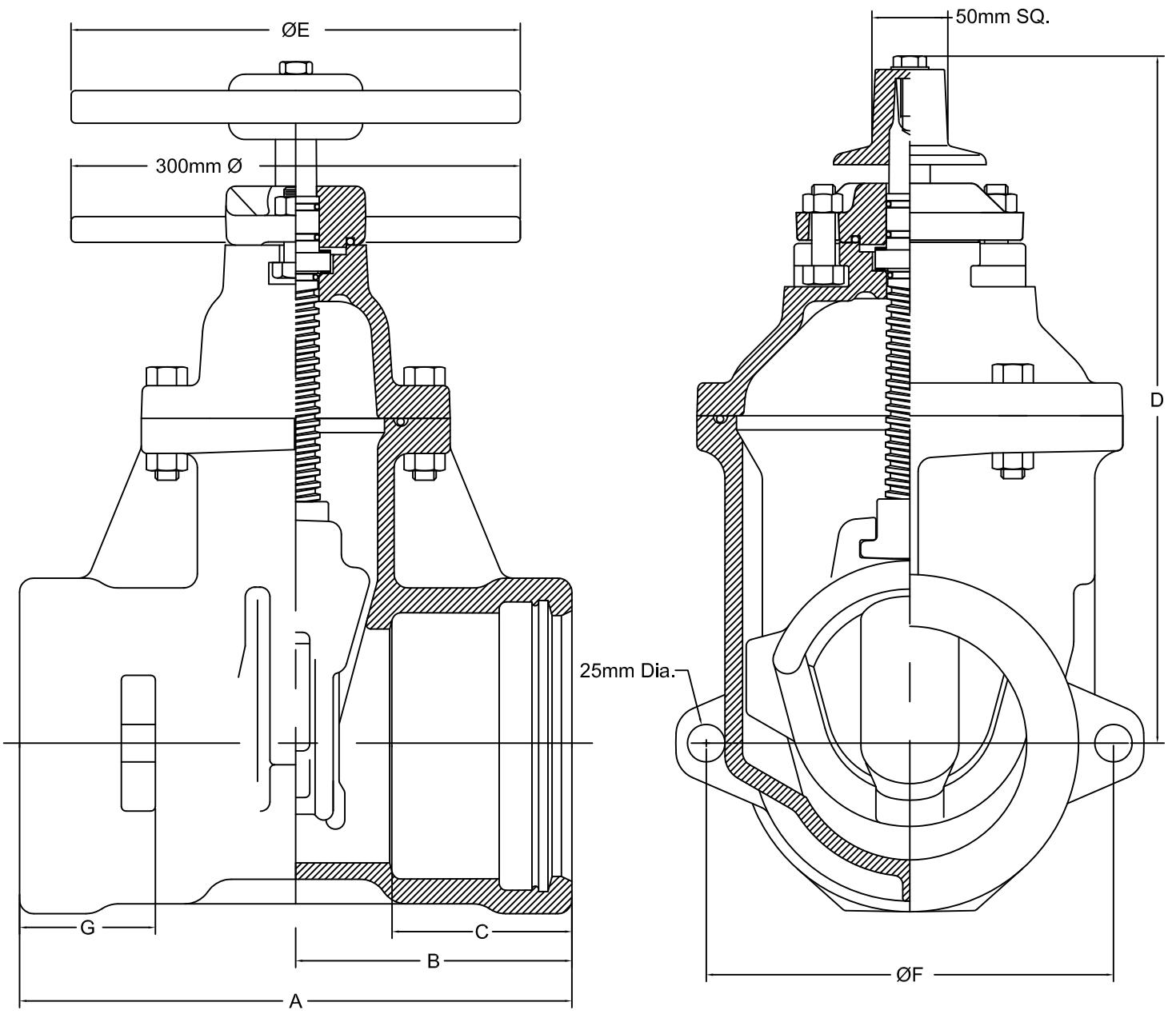


PROJECT
OWNER
CONTRACTOR
DISTRIBUTOR
CONSULTANT
CLOW CANADA

100mm - 300mm R/W VALVE TYTON ENDS NRS GENERAL DIMENSIONS
F6112
FUSION EPOXY - NSF 61 AND AWWA C550
COMPLIES WITH AWWA C509



METRIC DIMENSIONS							
VALVE SIZE	A	B	C	D	E	F	G
100	335	165	110	375	250	210	95
150	375	185	120	480	300	275	95
200	435	215	145	570	350	325	115
250	490	245	155	670	450	405	130
300	530	265	155	760	450	470	135