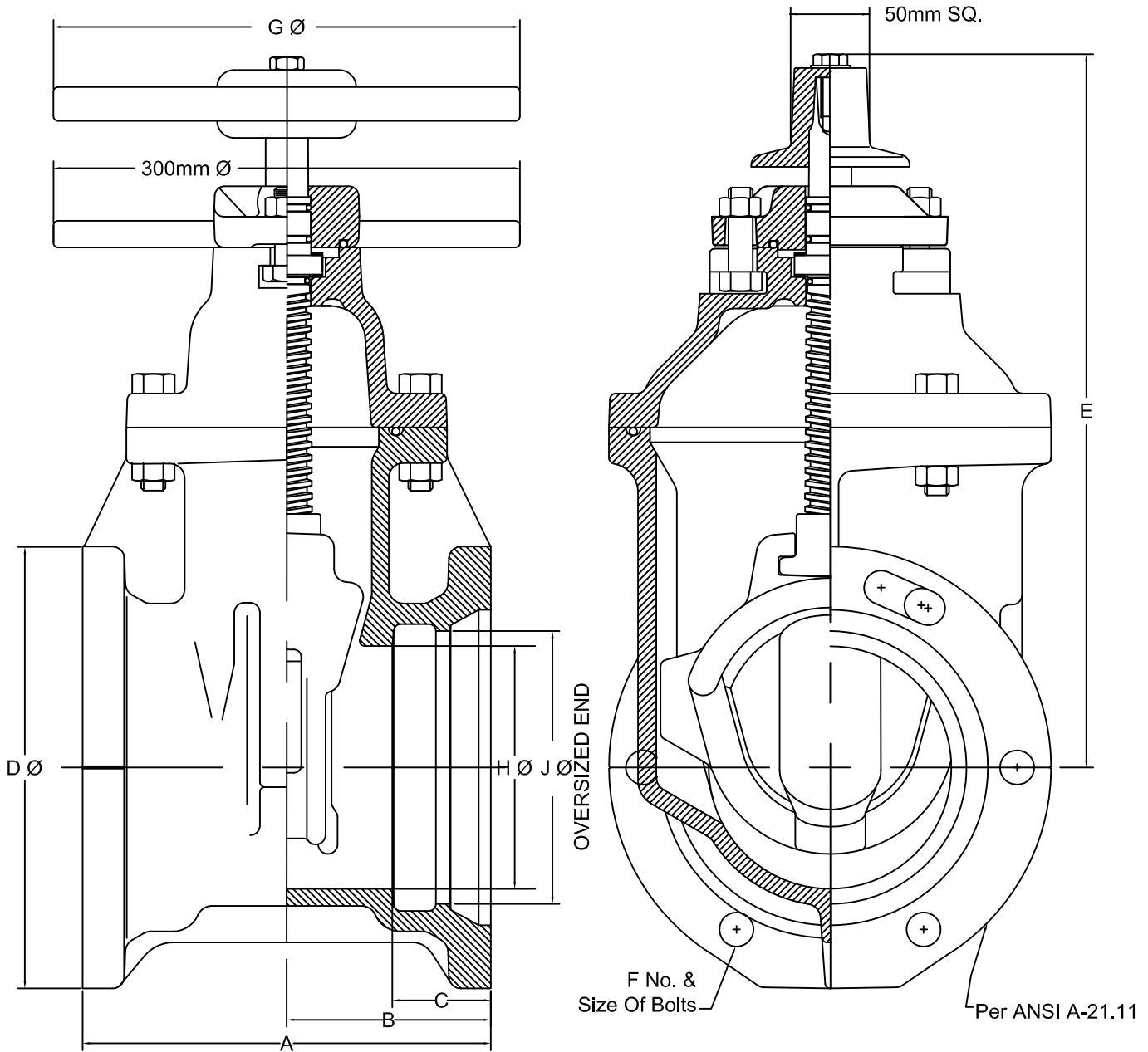


PROJECT	100mm - 300mm R/W VALVE MECHANICAL JOINT ONE END OVERSIZE GENERAL DIMENSIONS F6100 FUSION EPOXY - NSF 61 AND AWWA C550 COMPLIES WITH AWWA C509
OWNER	
CONTRACTOR	
DISTRIBUTOR	
CONSULTANT	
CLOW CANADA	



METRIC DIMENSIONS									
VALVE SIZE	A	B	C	D	E	F	G	H	J
100	240	120	62.5	230	375	4 -3/4"	250	110	130
150	265	130	62.5	290	480	6 -3/4"	300	160	184
200	335	165	62.5	350	572	6 -3/4"	350	210	240
250	395	195	62.5	400	670	8 -3/4"	450	260	294
300	405	200	67	455	760	8 -3/4"	450	310	346