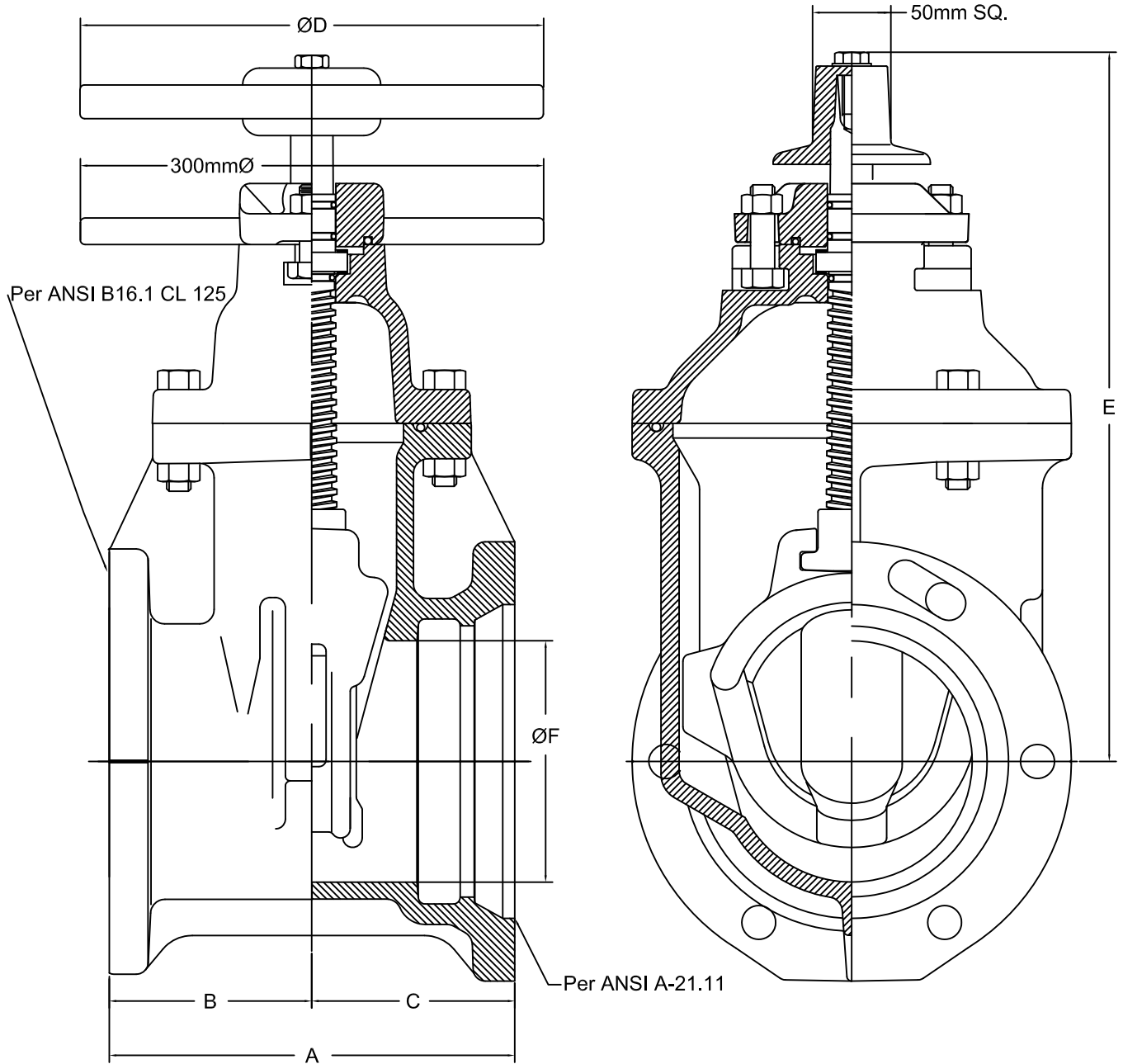


PROJECT
OWNER
CONTRACTOR
DISTRIBUTOR
CONSULTANT
CLOW CANADA

75 - 300 R/W VALVE NRS FLANGED x
 MECHANICAL JOINT ENDS GENERAL
 DIMENSIONS
 F6106
 FUSION EPOXY - NSF 61 AND AWWA C550
 COMPLIES WITH AWWA C509



METRIC DIMENSIONS						
VALVE SIZE	A	B	C	D	E	F
75	210	100	108	250	315	75
100	235	115	120	250	375	108
150	265	133	133	300	480	160
200	313	145	165	350	570	210
250	362	165	195	450	675	260
300	380	175	200	450	760	310