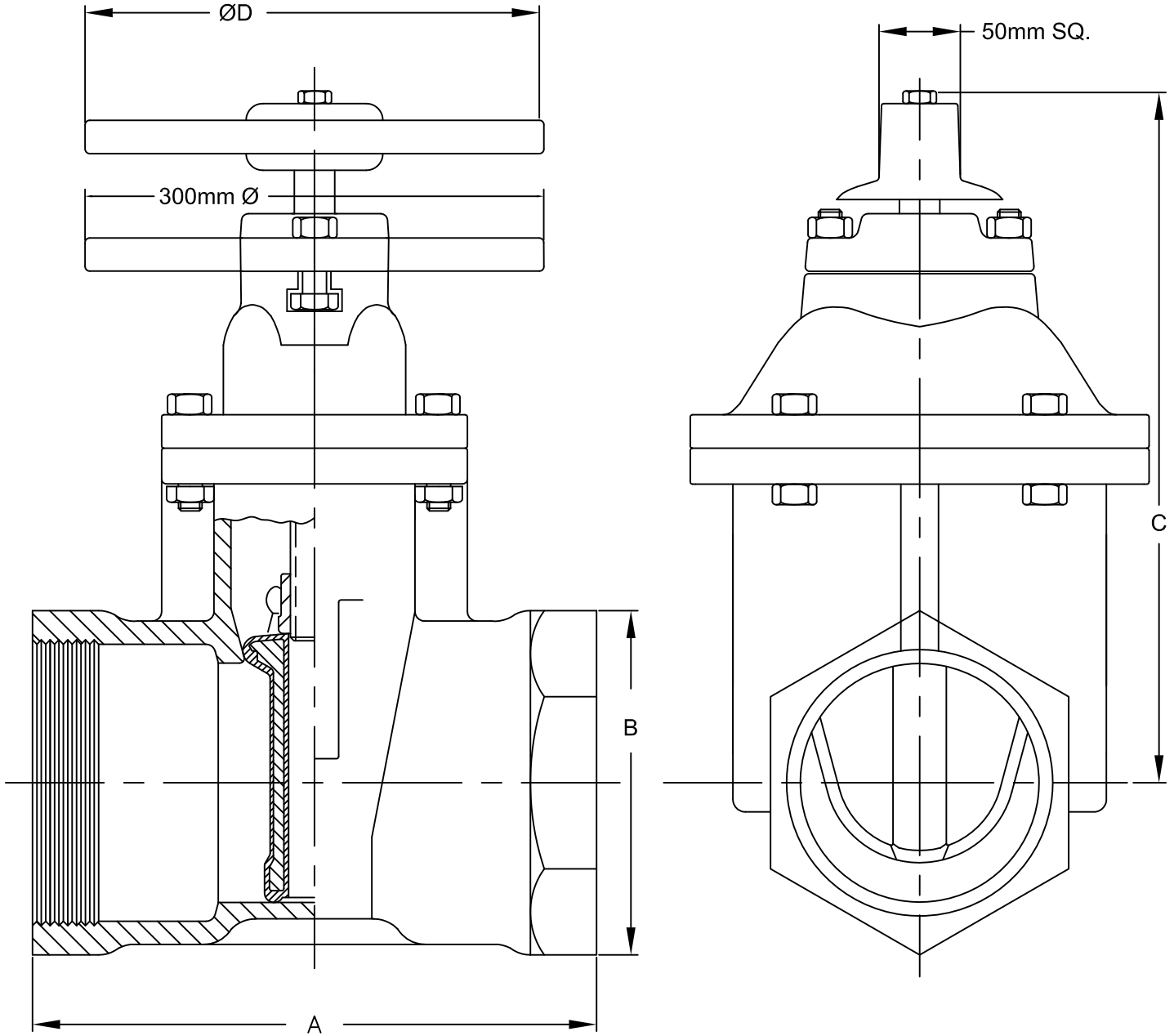


PROJECT
OWNER
CONTRACTOR
DISTRIBUTOR
CONSULTANT
CLOW CANADA

50 - 75 R/W VALVE THREADED ENDS NRS GENERAL DIMENSIONS
F6103
FUSION EPOXY - NSF 61 AND AWWA C550
COMPLIES WITH AWWA C509



METRIC DIMENSIONS				
VALVE SIZE	A	B	C	D
50	133	105	275	185
62.5	175	130	290	185
75	180	140	315	250