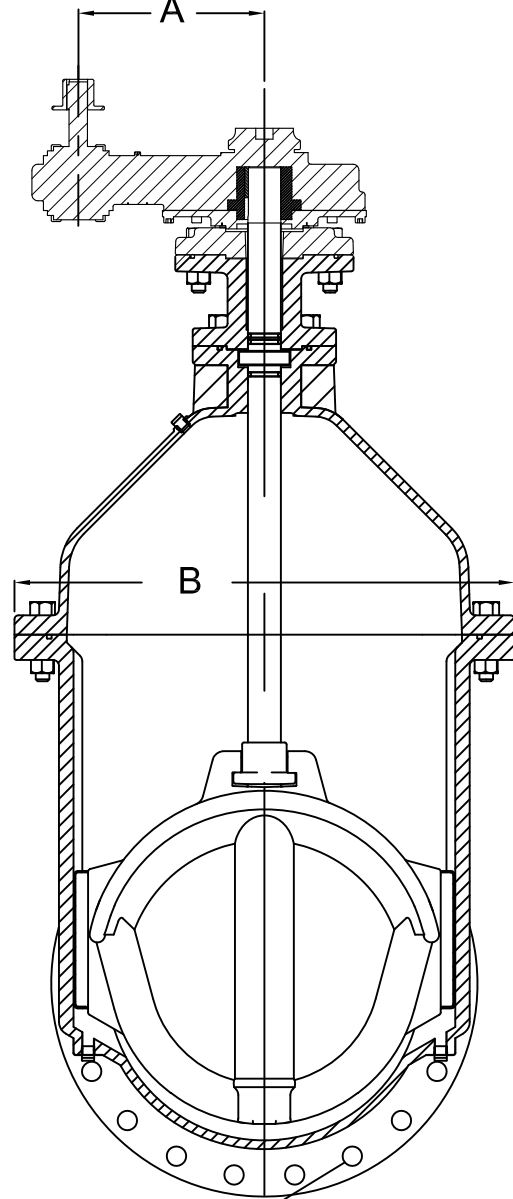
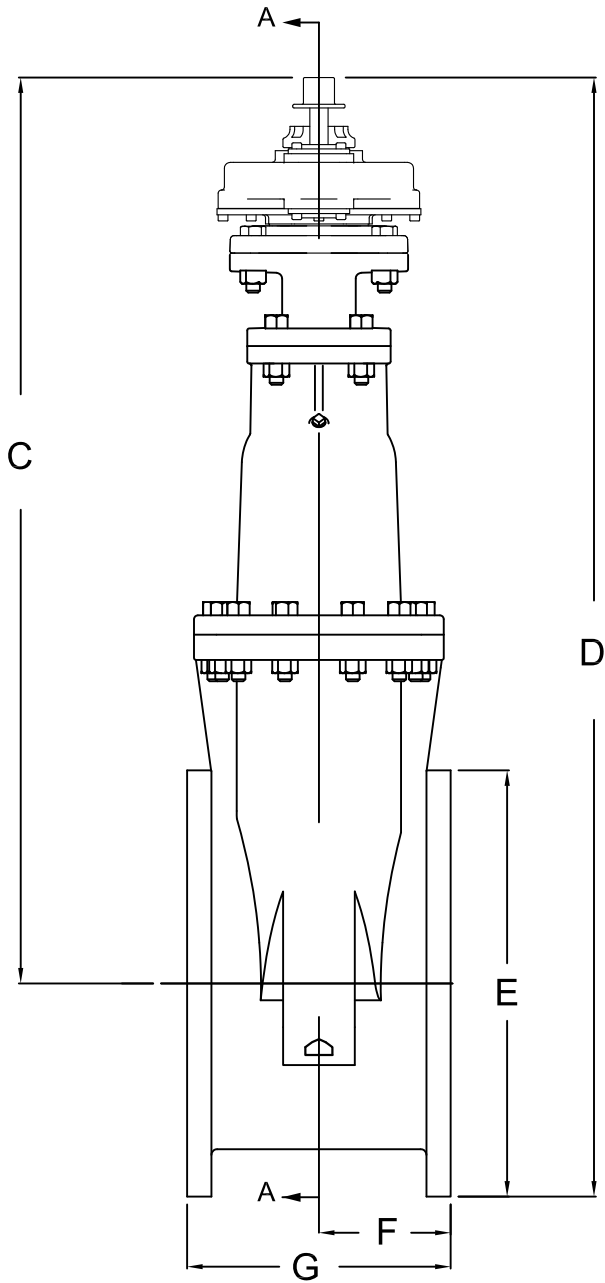


PROJECT
OWNER
CONTRACTOR
DISTRIBUTOR
CONSULTANT
<b>CLOW CANADA</b>

<b>350mm - 500mm FLANGED RW GATE VALVE WITH SPUR GEAR</b>
<b>F6102 SG</b>
<b>FUSION EPOXY - NSF 61 &amp; AWWA C550</b>
<b>COMPLIES WITH AWWA C509</b>



H - No. & SIZE OF BOLTS  
DRILLING PER ANSI B16.1  
Class 125

METRIC DIMENSIONS								
VALVE SIZE	A	B	C	D	E	F	G	H (Inches)
350mm	200	680	1300	1600	535	190	380	12-1
400mm	200	680	1335	1600	595	205	406	16-1
450mm	300	820	1450	1790	635	215	432	16-1 1/8
500mm	300	820	1475	1790	700	230	457	20-1 1/8