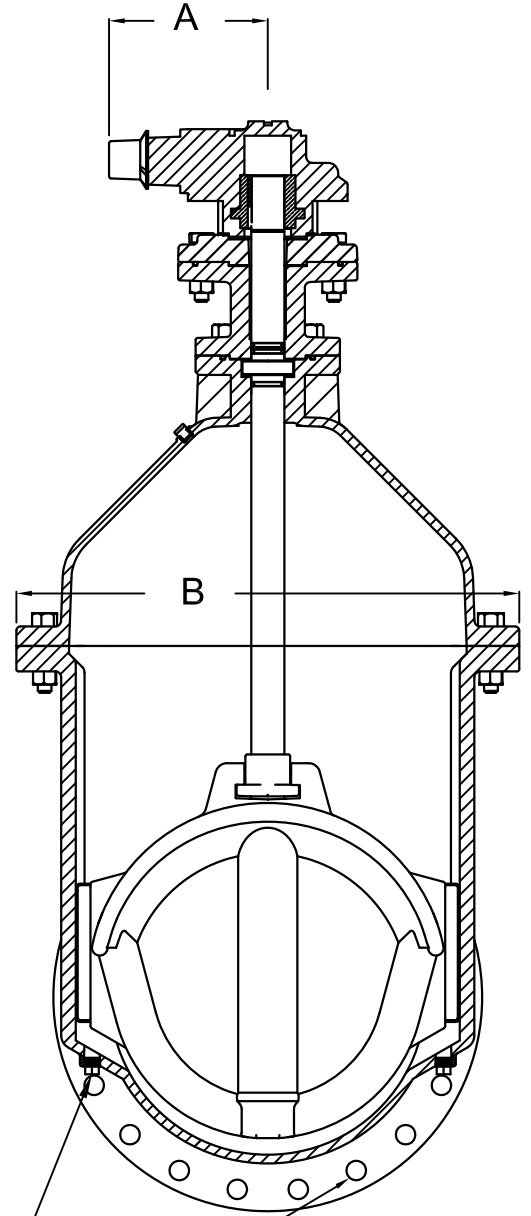
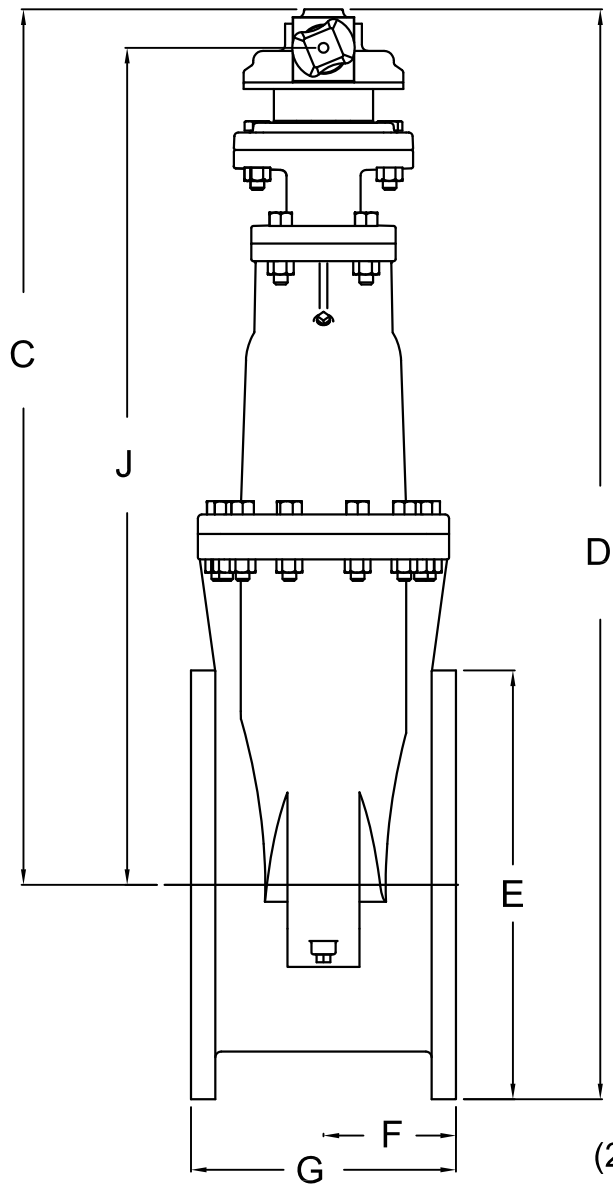


PROJECT
OWNER
CONTRACTOR
DISTRIBUTOR
CONSULTANT
<b>CLOW CANADA</b>

350mm - 500mm R/W VALVE FLANGED END BEVEL GEAR GENERAL DIMENSIONS
F6102
FUSION EPOXY - NSF 61 & AWWA C550
COMPLIES WITH AWWA C515



(2) 3/4" PIPE  
PLUG  
(DRAIN)

H - No. & SIZE OF BOLTS  
DRILLING PER ANSI B16.1  
Class 125

METRIC DIMENSIONS									
VALVE SIZE	A	B	C	D	E	F	G	H (Inches)	J
350mm	230	680	1235	1510	535	190	380	12-1	1180
400mm	230	680	1210	1510	595	205	406	16-1	1150
450mm	260	820	1420	1735	635	215	432	16-1 1/8	1365
500mm	260	820	1390	1735	700	230	457	20-1 1/8	1340