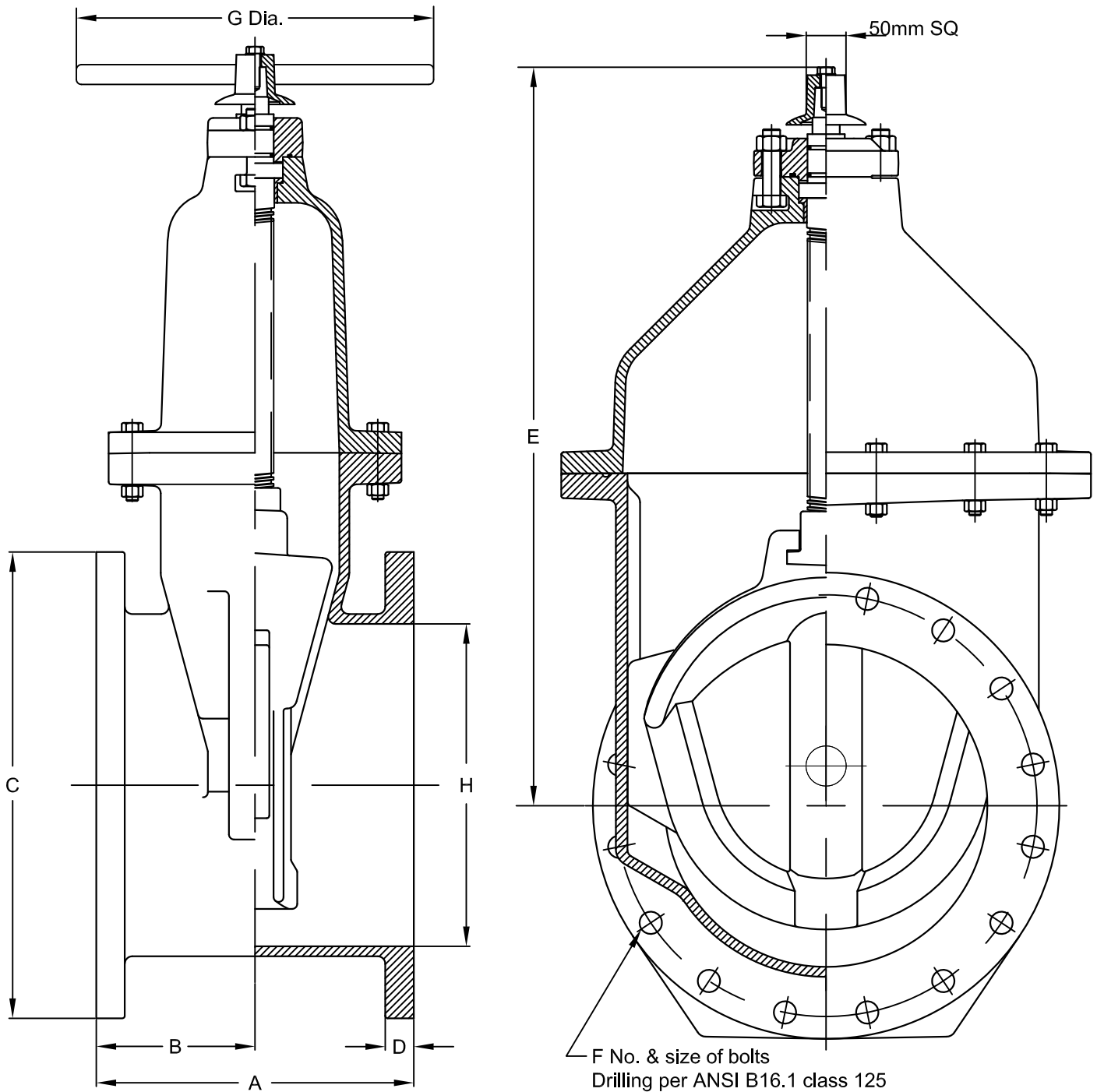


PROJECT	350mm - 400mm R/W VALVE FLANGED END GENERAL DIMENSIONS	
OWNER		
CONTRACTOR		
DISTRIBUTOR		MODEL F6102
CONSULTANT		FUSION EPOXY - NSF 61 AND AWWA C550
<b>CLOW CANADA</b>		



### METRIC DIMENSIONS

VALVE SIZE	A	B	C	D	E	F	G	H
350	381	190	533	35	959	12-25	457	362
400	406	203	597	37	959	16-25	457	416