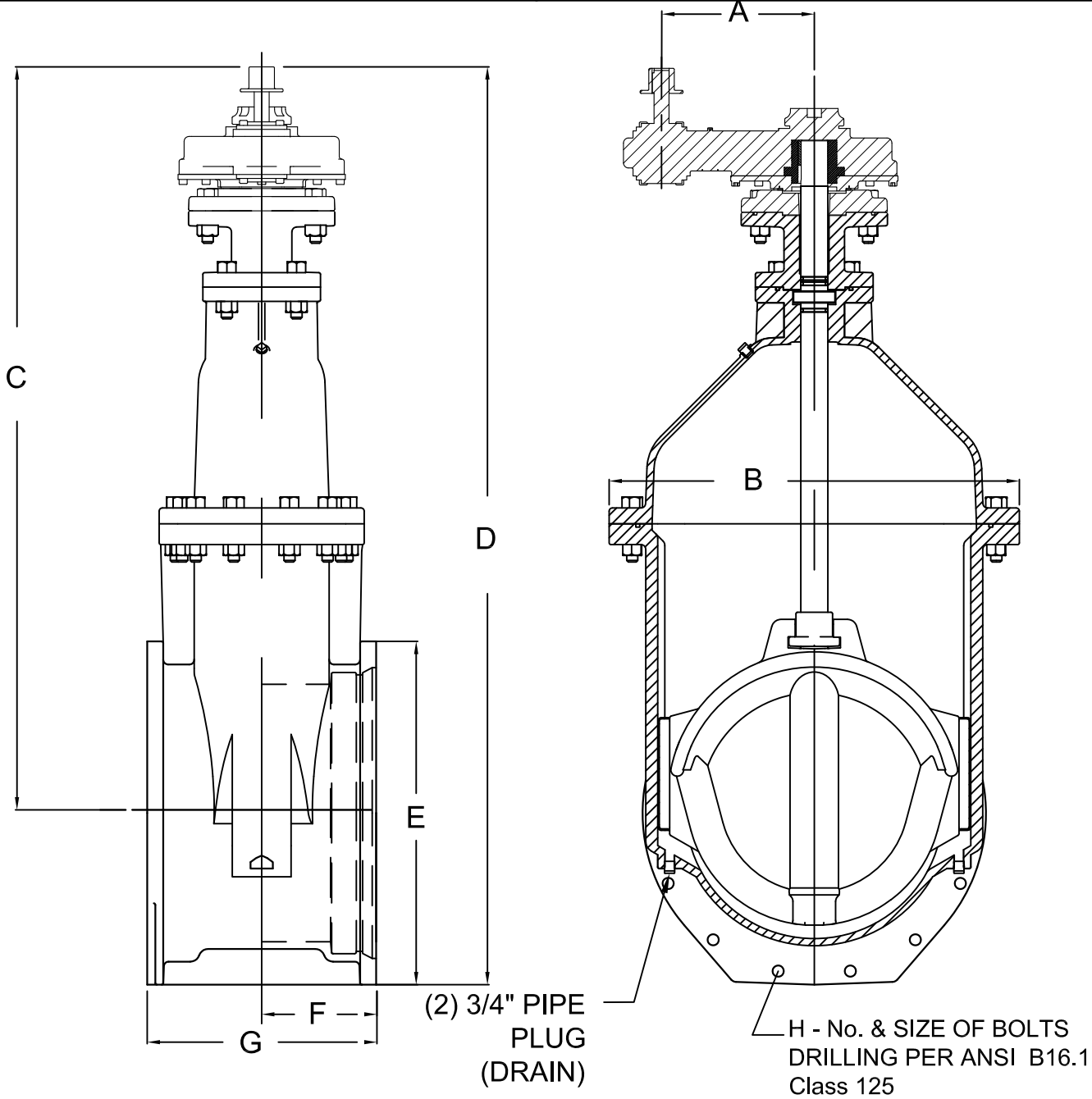


PROJECT	350mm - 500mm M.J. RW GATE VALVE WITH SPUR GEAR & CLEANOUTS
OWNER	
CONTRACTOR	
DISTRIBUTOR	
CONSULTANT	
CLOW CANADA	F6100 SG FUSION EPOXY - NSF 61 & AWWA C550 COMPLIES WITH AWWA C509



METRIC DIMENSIONS								
VALVE SIZE	A	B	C	D	E	F	G	H (Inches)
350mm	200	680	1300	1600	515	215	430	10 - 3/4"
400mm	200	680	1335	1600	570	215	430	12 - 3/4"
450mm	300	820	1475	1790	635	230	460	12 - 3/4"
500mm	300	820	1450	1790	685	230	475	14 - 3/4"