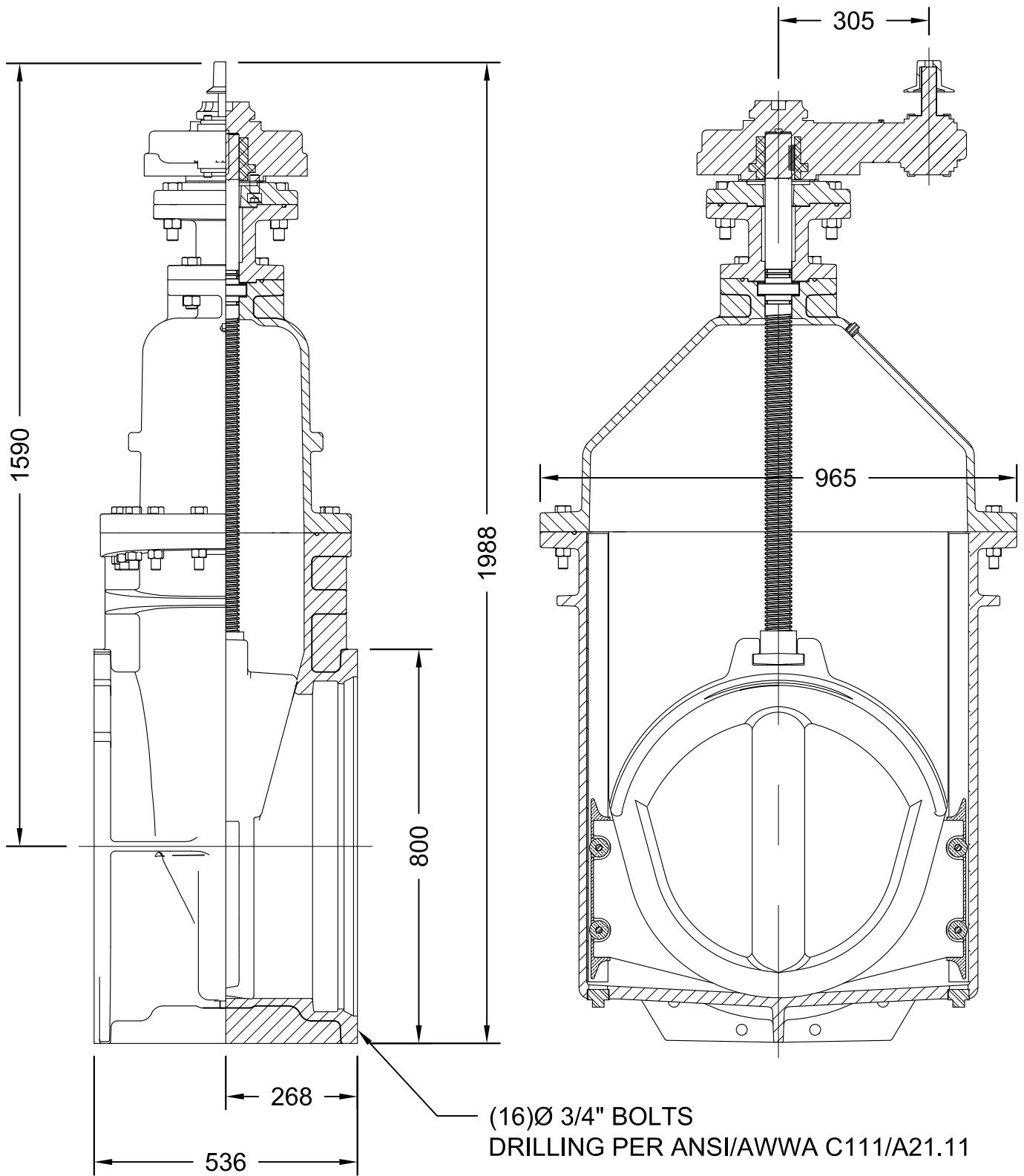


PROJECT
OWNER
CONTRACTOR
DISTRIBUTOR
CONSULTANT

600mm R/W GV M.J. RTS
 SPUR GEAR METRIC DIMENSIONS
 MODEL F6100

CLOW CANADA



ALL DIMENSIONS IN MILLIMETERS