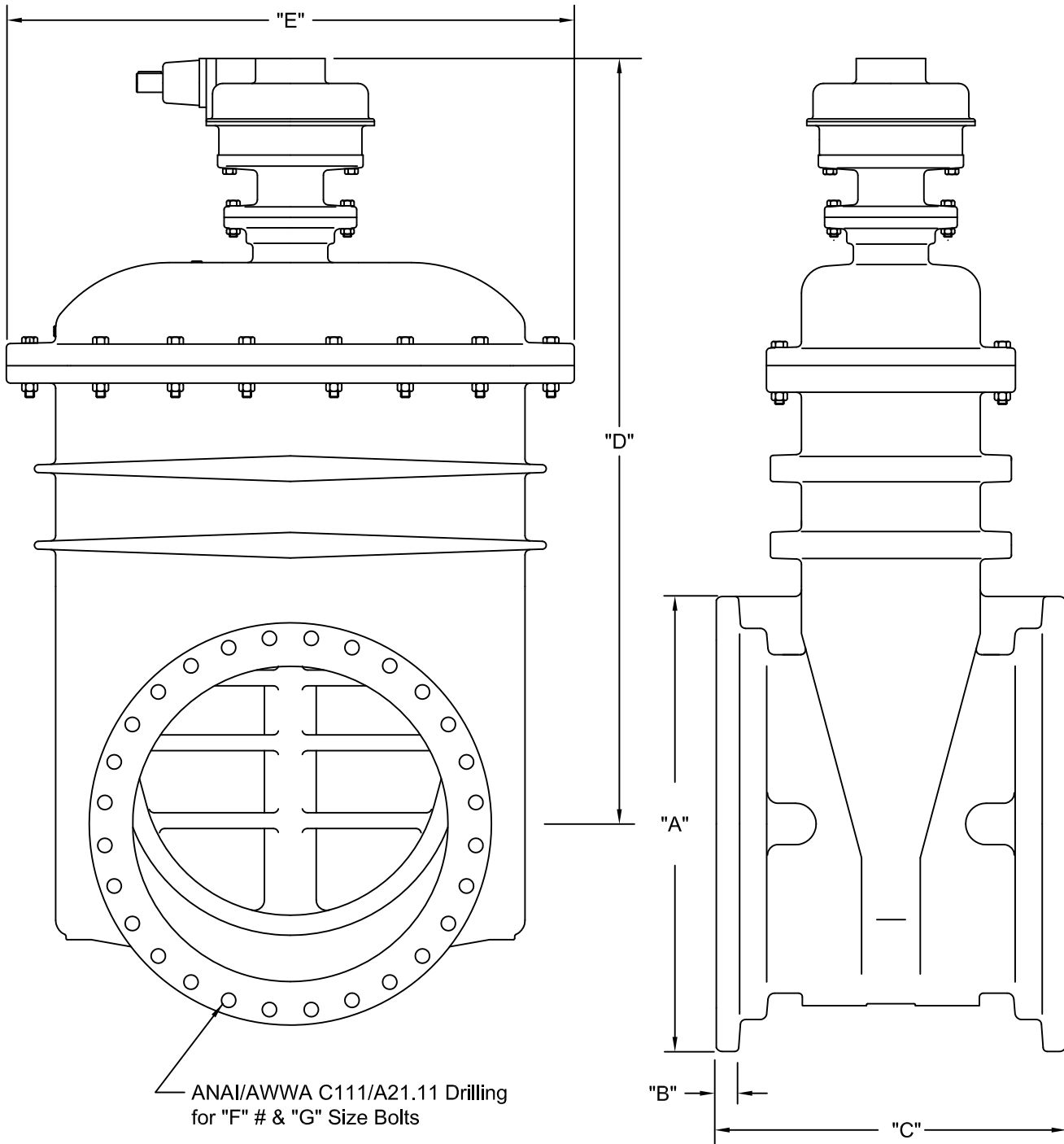


PROJECT	750 - 1200 R/W VALVE MECH. JOINT ENDS GENERAL DIMENSIONS
OWNER	
CONTRACTOR	
DISTRIBUTOR	
CONSULTANT	
CLOW CANADA	F6100BG
	FUSION EPOXY - NSF 61 AND AWWA C550



METRIC DIMENSIONS							
Valve Size	"A"	"B"	"C"	"D"	"E"	"F"	"G"
750 mm	1000	43	900	1870	1390	20	1"
900 mm	1180	50	980	2120	1495	24	1"
1050 mm	1370	50	1010	2560	1900	28	1-3/8
1200 mm	1540	54		2635	1900	32	1-1/4

2638-54
A 9/25/02