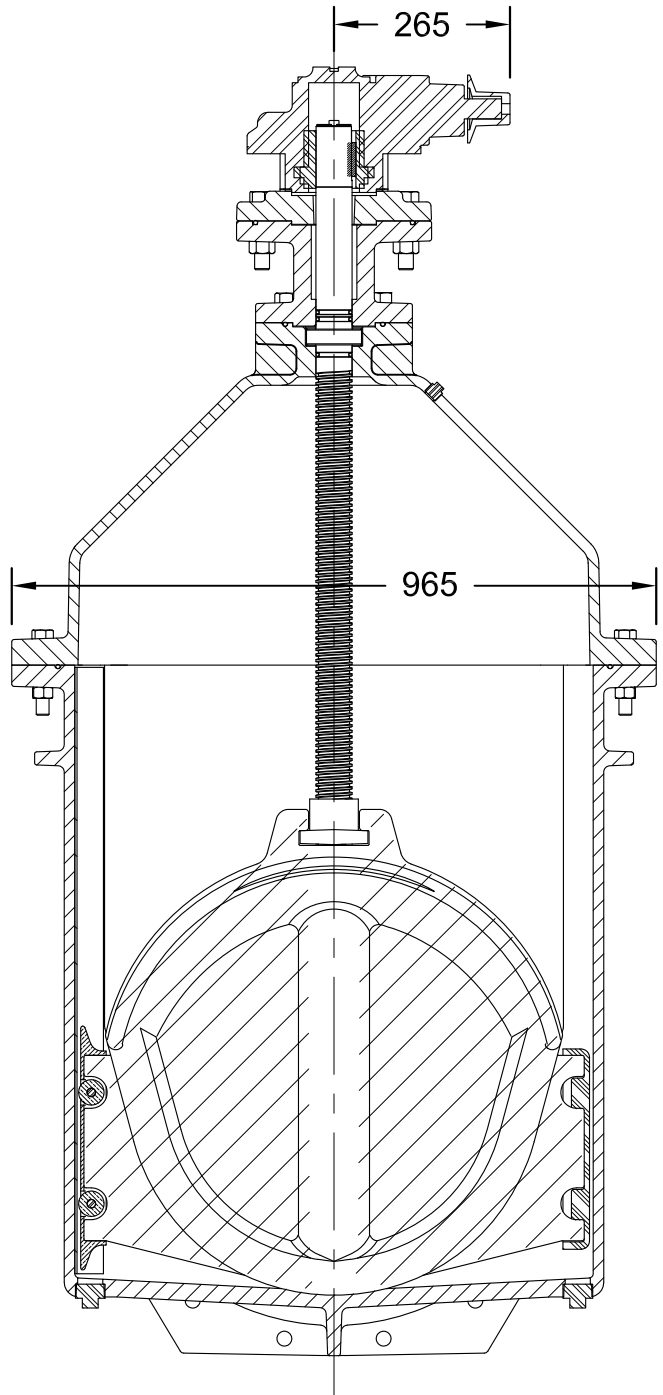
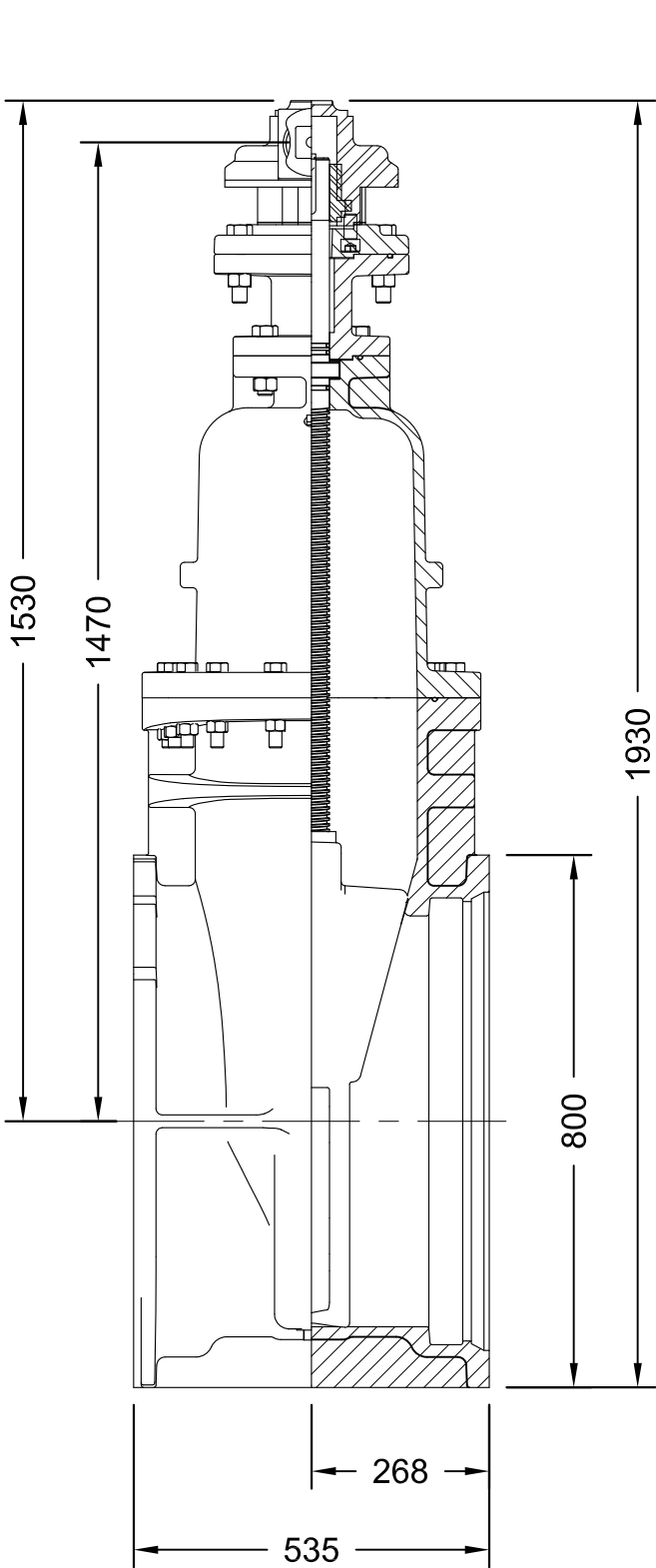


PROJECT
OWNER
CONTRACTOR
DISTRIBUTOR
CONSULTANT

600mm R/W GV M.J. RTS  
 BEVEL GEAR METRIC DIMENSIONS  
 MODEL F6100  
**CLOW CANADA**



2638-87  
 B 04/08

ALL DIMENSIONS IN MILLIMETERS