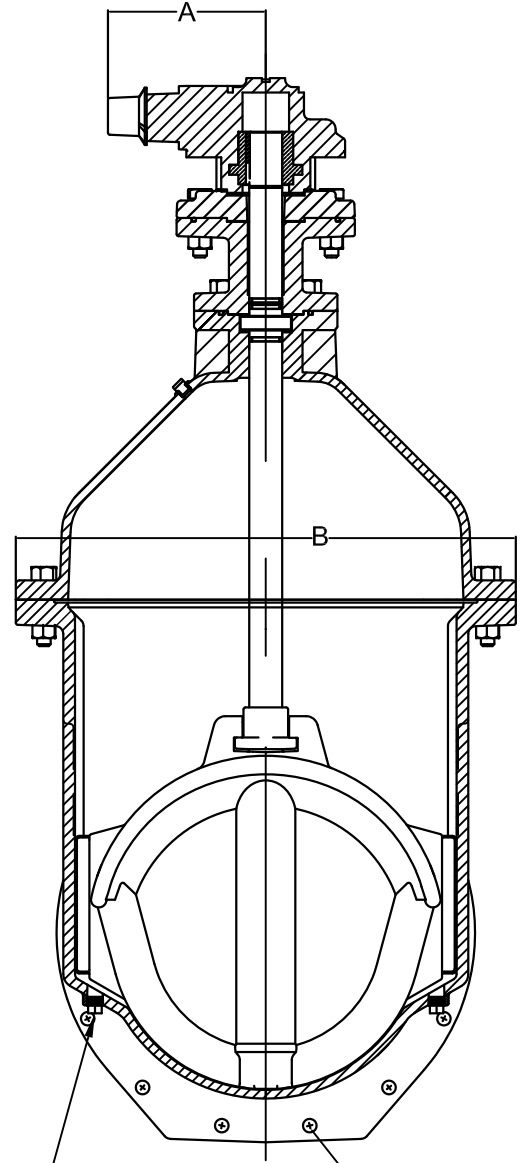
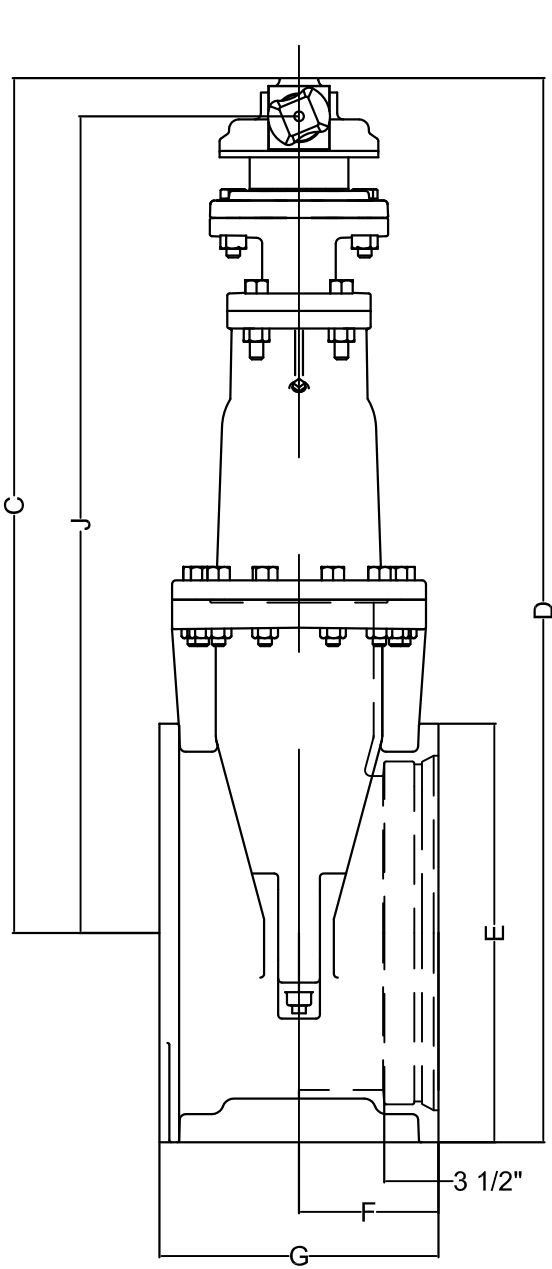


PROJECT
OWNER
CONTRACTOR
DISTRIBUTOR
CONSULTANT
<b>CLOW CANADA</b>

350mm - 500mm R/W VALVE MJ END BEVEL  
 GEAR  
 WITH CLEANOUTS - GENERAL DIMENSIONS  
 F6100 BG  
 FUSION EPOXY - NSF 61 AND AWWA C550  
 COMPLIES WITH AWWA C515



3 1/2" (2) 3/4" PIPE  
 PLUG  
 (DRAIN)

H- No. & size of bolts

ALL DIMENSIONS IN MILLIMETERS									
VALVE SIZE	A	B	C	D	E	F	G	H	J
350 mm	230	675	1160	1500	515	215	430	10-3/4	1185
400 mm	230	675	1210	1500	570	215	430	12-3/4	1160
450 mm	260	820	1415	1735	630	230	475	12-3/4	1365
500 mm	260	820	1390	1735	685	230	460	14-3/4	1340