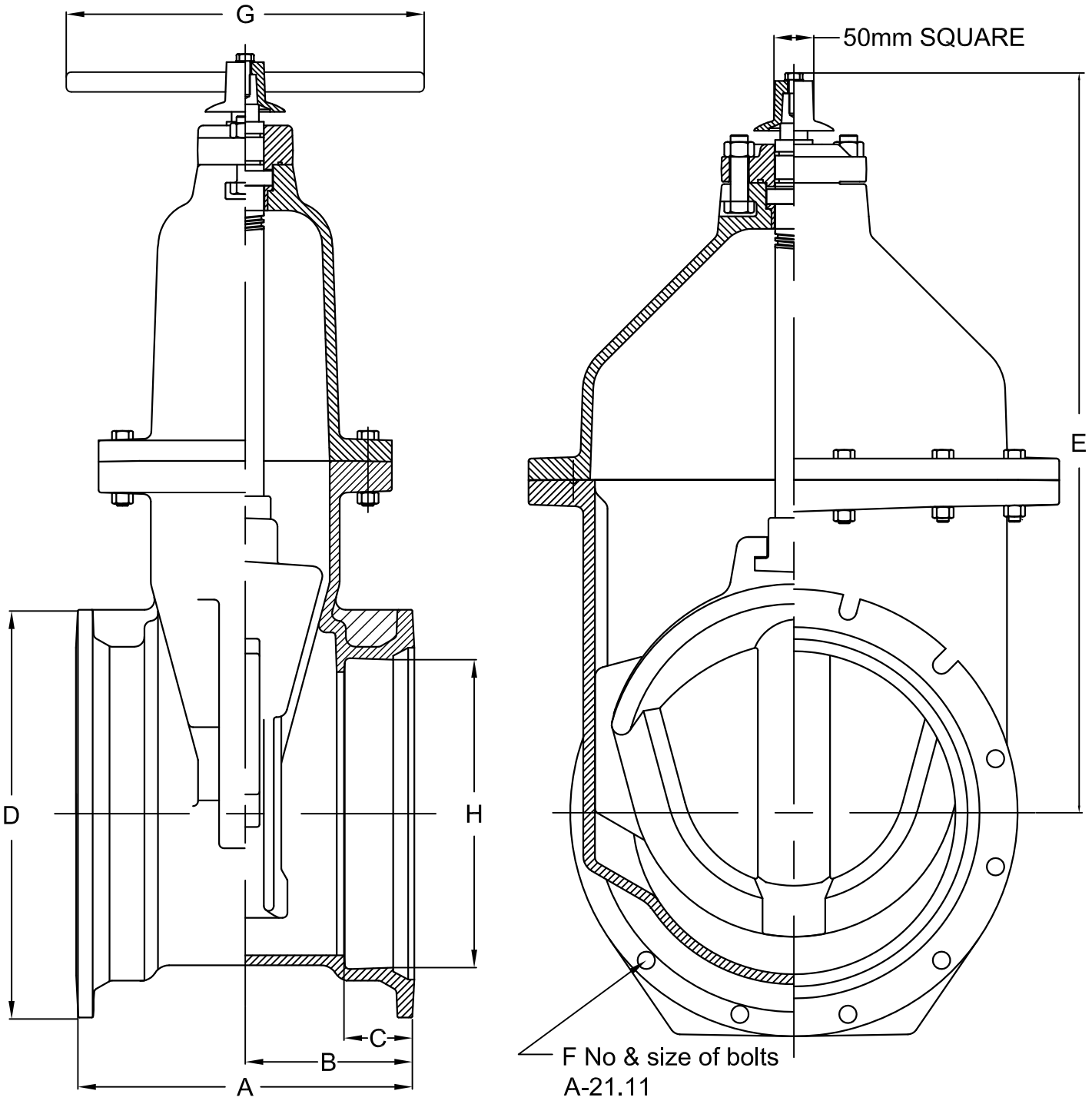


PROJECT	350mm - 400mm R/W VALVE MECHANICAL JOINT GENERAL DIMENSIONS	
OWNER		
CONTRACTOR		
DISTRIBUTOR		MODEL F6100
CONSULTANT		FUSION EPOXY - NSF 61 AND AWWA C550
CLOW CANADA		



METRIC DIMENSIONS

VALVE SIZE	A	B	C	D	E	F	G	H
350	432	216	89	514	959	10 - 19	457	362
400	432	216	89	572	959	12 - 19	457	413