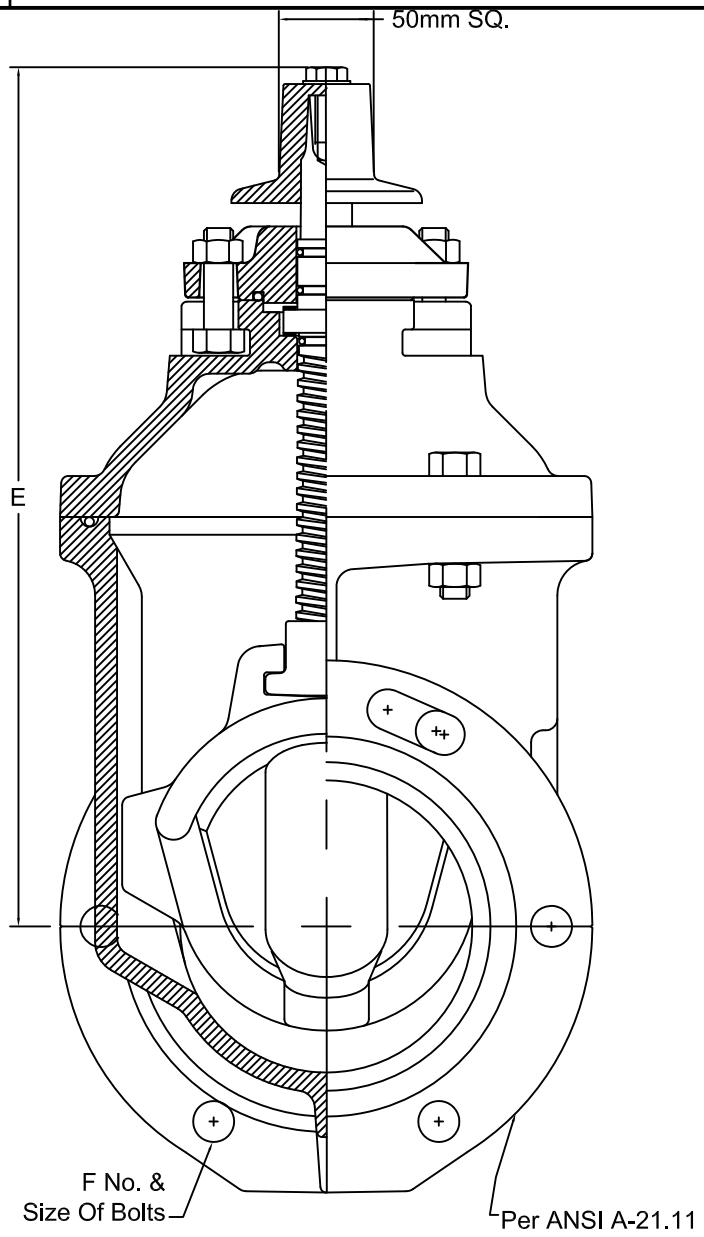
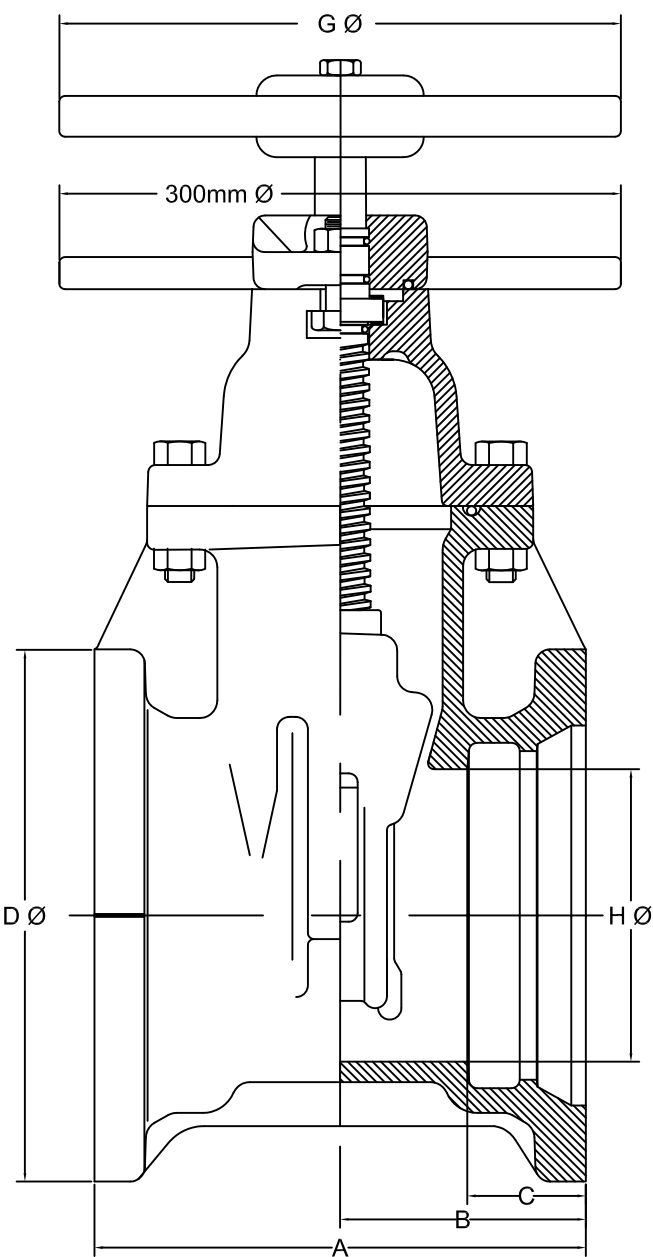


PROJECT
OWNER
CONTRACTOR
DISTRIBUTOR
CONSULTANT

50mm - 300mm R/W VALVE  
 MECHANICAL JOINT ENDS  
 GENERAL DIMENSIONS  
 F6100  
 FUSION EPOXY - NSF 61 AND AWWA C550  
 COMPLIES WITH AWWA C509

**CLOW CANADA**



**METRIC DIMENSIONS**

VALVE SIZE	A	B	C	D	E	F	G	H
50	210	105	62.5	115	275	4 -5/8"	185	50
62.5	—	—	—	—	—	—	—	—
75	215	108	62.5	195	315	4 -5/8"	250	75
100	240	120	62.5	230	375	4 -3/4"	250	110
150	265	130	62.5	290	480	6 -3/4"	300	160
200	335	165	62.5	350	572	6 -3/4"	350	210
250	395	195	62.5	400	670	8 -3/4"	450	260
300	405	200	67	455	760	8 -3/4"	450	310