



THE LATERAL CONNECTION CORP.

## Performance™ Series Compression Fittings, Valves and Saddles



Reliable Products for:

- IPS (OD) Poly Pipe
- CTS (OD) Poly Pipe
- Metric/NPT Poly Pipe

Approved by leading internationally  
recognized testing institutes



*"Tap Into The Source"*

[www.lateralconnection.com](http://www.lateralconnection.com)

# PP Compression Fittings

## Performance™ Series

### Description

- Polypropylene (PP) Compression Fittings for PE pressure piping applications.

### Tube

- IPS (OD)
  - For use on HDPE Pipe SDR 7.3 thru SDR 17. Sizes 1/2" - 4" (Blue Body)
  - For use on Sch 40/80 PVC Pipe with SS Gripper Ring. Sizes 1/2" - 2" (Blue Body)
- CTS (OD)
  - For use on Certified PE Pipe SDR 9 & SDR 11. Sizes 3/4" - 2" (Copper Body)
  - For use on Cross Linked Pipe PE SDR 9 for Cold Water Only. Sizes 3/4" - 2" (Copper Body)
  - For use on Copper Pipe with CTS SS Gripper Ring. Sizes 3/4" - 1" (Copper Body)
- METRIC/NPT in 16mm - 110mm (Gray Body)

### Working pressure

- Pressure rating: 200 PSI @ 73° F (23° C)

### Features

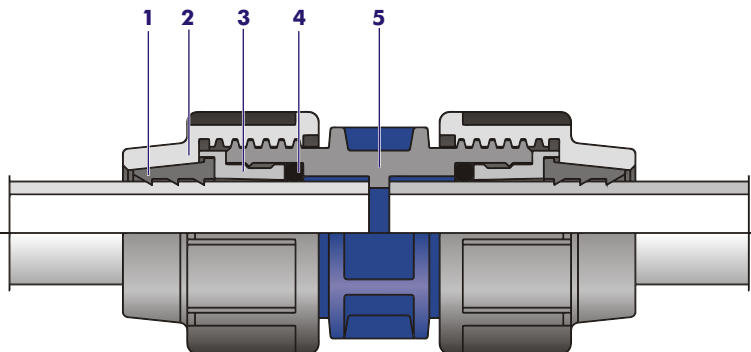
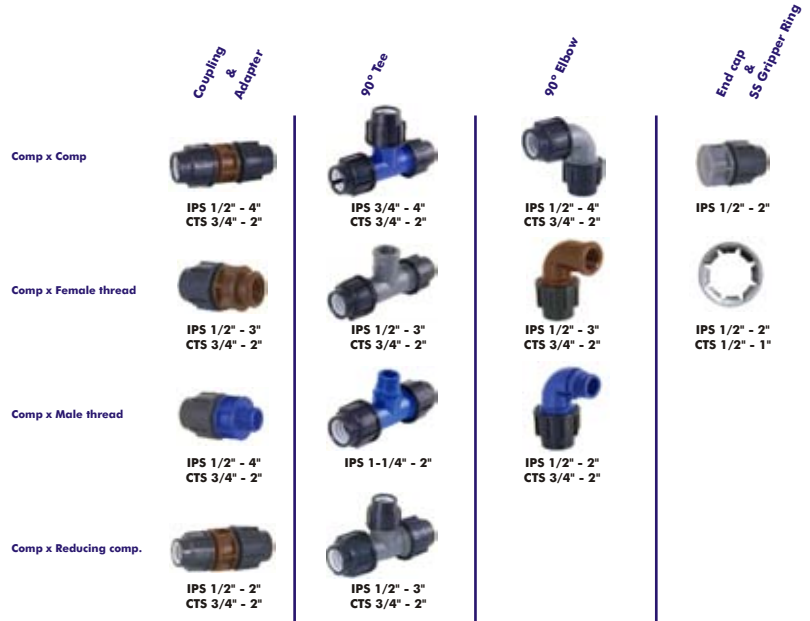
- Ease of installation.
- One source for all your IPS, CTS and Metric needs.
- Color coded.
- UV stabilized.
- Extensively used worldwide.
- ISO 9001 certified.

### Applications

- Water distribution
- Industrial
- Leachate Collection
- Irrigation
- Many other uses

### Specifications

- IPS (OD) • ASTM-F714 / ASTM-D3035 / ASTM-D-1599-99
- CTS (OD) • ASTM-D2737 / ASTM-D1248 / ASTM-D-1599-99
- METRIC/NPT • DIN EN 714/911 / ANSI-B-1.20.1-92
- COMPOSITE PIPE • ASTM-F1282



### Parts

N°	Description	Material
1	Split Ring	Acetalic resin POM
2	Nut	Polypropylene PP
3	Pipe Guide	Polypropylene PP
4	O-Ring	Drinking water rubber NBR
5	Body	Polypropylene PP

# PP Ball Valves

## Performance™ Series

### Description

- Polypropylene Ball Valves for PE pressure piping applications.

### Tube

- IPS (OD)
  - For use on HDPE Pipe SDR 7.3 thru SDR 17. Sizes 1/2" - 2" (Blue Body)
  - For use on Sch 40/80 PVC Pipe with SS Gripper Ring. Sizes 1/2" - 2" (Blue Body)
- CTS (OD)
  - For use on Certified PE Pipe SDR 9 & SDR 11. Sizes 3/4" - 2" (Copper Body)
  - For use on Cross Linked Pipe PE SDR 9 for Cold Water Only. Sizes 3/4" - 2" (Copper Body)
  - For use on Copper Pipe with CTS SS Gripper Ring. Sizes 3/4" - 1" (Copper Body)

### Working pressure

- Pressure rating: 200 PSI @ 73° F (23° C)

### Features

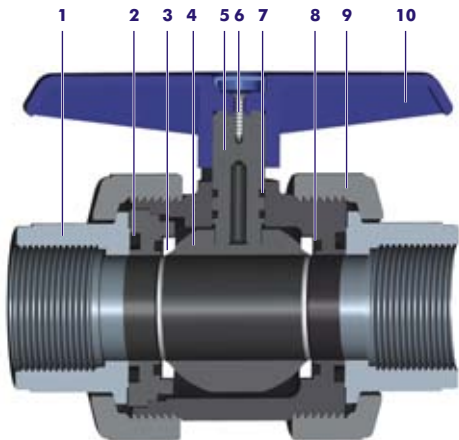
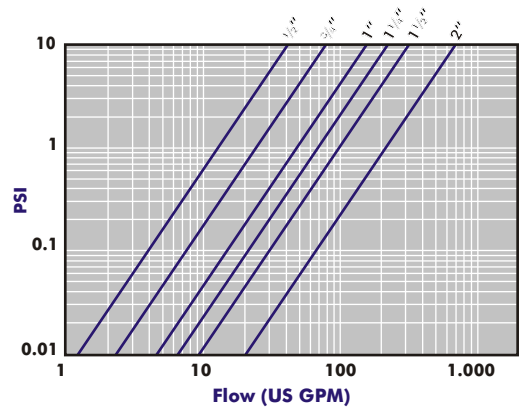
- Compression (IPS & CTS) & Threaded (NPT Male & Female) end connectors available.
- Fully serviceable.
- EPDM O-Rings.
- 100% hydro tested prior to leaving the factory.
- Extremely smooth handle operation.
- UV stabilized.
- Extensively used worldwide.
- ISO 9001 certified.
- Handles available in purple for Reclaim applications.

### Applications

- Water distribution
- Reclaim water
- Industrial
- Leachate Collection
- Irrigation
- Many other uses



Ball Valves Pressure Loss



### Parts

N°	Description	Material	N° Req.
1	End Connector	PP	2
2	End Connector O-Ring	EPDM	2
3	Seat	PE	2
4	Ball	PVC	1
5	Stem	PVC	1
6	Fastening Screw	Stainless Steel	1
7	Stem O-Ring	EPDM	2
8	Body O-Ring	EPDM	2
9	Nut	PP	2
10	Handle	PP	1

# Curb Stop Valves

## Performance™ Series

### Description

- Polypropylene Curb Stops for PE pressure piping applications.

### Tube

- IPS (OD)
  - For use on HDPE Pipe SDR 7.3 thru SDR 17. Sizes 1-1/4", 1-1/2" & 2"
  - For use on Sch 40/80 PVC Pipe with SS Gripper Ring. Sizes 1-1/4", 1-1/2" & 2"
- CTS (OD)
  - For use on Certified PE Pipe SDR 9 & SDR 11. Sizes 1-1/4", 1-1/2" & 2"
  - For use on Cross Linked Pipe PE SDR 9 for Cold Water Only. Sizes 1-1/4", 1-1/2" & 2"

### Working pressure

- Pressure rating: 200 PSI @ 73° F (23° C)

### Features

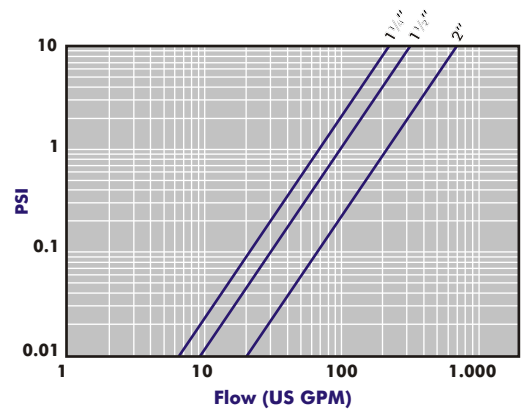
- Compression (IPS & CTS) & Threaded (Female) end connectors available.
- Fast and easy operation in small spaces.
- Inbuilt torque overload protection (ratcheting handle).
- Fully serviceable.
- EPDM O-Rings.
- 100% hydro tested prior to leaving the factory.
- Extremely smooth handle operation.
- Insert-less design.
- Color coded.
- UV stabilized.
- Extensively used worldwide.
- ISO 9001 certified.

### Applications

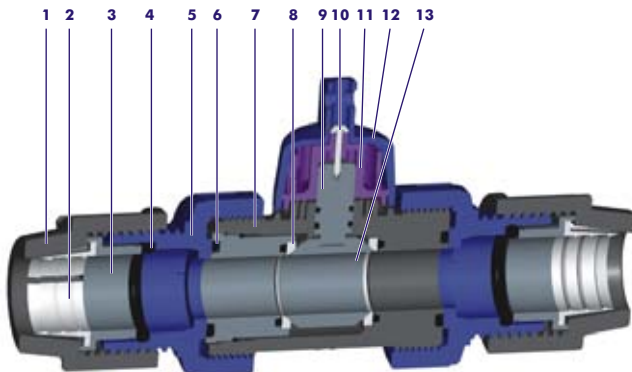
- Water distribution
- Reclaim water
- Industrial
- Leachate Collection
- Irrigation
- Many other uses



Curb Stops Pressure Loss



### Parts



N°	Description	Material	N° Req.
1	Nut	PP	2
2	Split Ring	POM	2
3	Pipe Guide	PP	2
4	O-Ring	EPDM	2
5	Valve Nut	PP	2
6	End Connector O-Ring	EPDM	2
7	Body	PP	1
8	Seat	PE	2
9	Stem	PVC	1
10	Fastening Screw	Stainless Steel	1
11	Handle Inner	POM	1
12	Handle Outer	POM	1
13	Ball	PVC	1

# PP Saddles

## Performance™ Series

### Description

- PP Saddles for PE pressure piping applications.

### Tube

- IPS (OD) • For use on HDPE Pipe SDR 7.3 - SDR 17. Sizes 1" - 6"
- For use on Sch 40 & Sch 80 PVC Pipe. Sizes 1" - 6"

### Working pressure

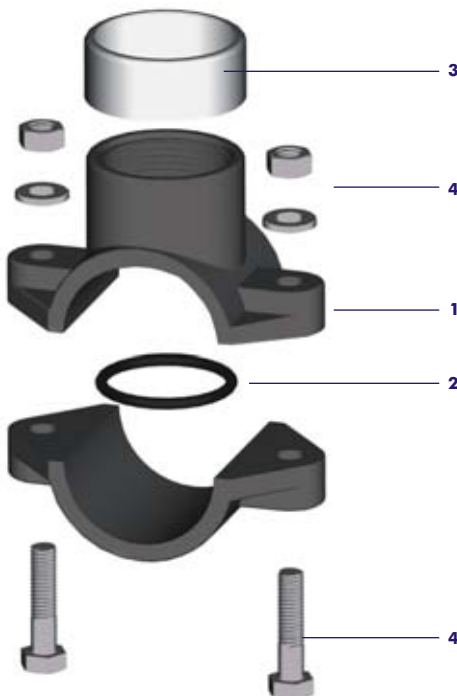
- Pressure rating: 200 PSI @ 73° F (23° C)

### Features

- NPT outlets, ranging from 3/4" to 3" for select sizes.
- Stainless steel outlet reinforcement ring.
- Ribbed SBR O-Ring.
- Indented body mold holds gasket in place.
- Ribbed body.
- Molded hex socket for bolt head to facilitate fastener-tightening.
- Nuts & bolts available in 18-8 stainless steel.
- UV stabilized.
- ISO 9001 certified.

### Applications

- Water distribution
- Reclaim water
- Industrial
- Leachate Collection
- Irrigation
- Many other uses



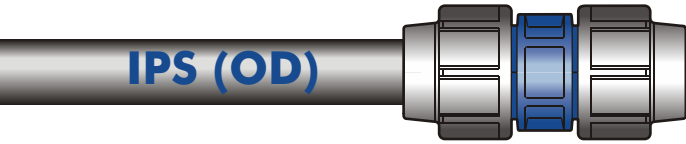
### Parts

N°	Description	Material
1	Body	PP
2	O-Ring	SBR
3	Retainer Ring	Stainless Steel
4	Nuts / Bolts	Stainless Steel



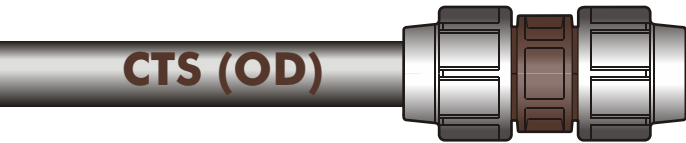
THE LATERAL CONNECTION CORP.

"Tap Into The Source"



HDPE Pipe SDR 7.3 - SDR 17

Sch 40 / 80 PVC Pipe (with SS Gripper Ring)



PE Pipe (Municipal Service Tubing) SDR 9 & 11

Cross Linked PE Pipe (PEX) SDR 9 (Cold Water Only)

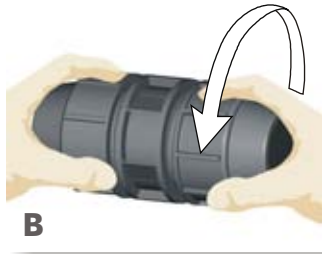
Copper Tubing (with SS Gripper Ring)



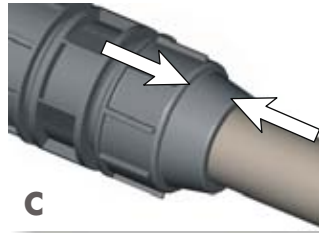
Installation Instructions



Cut pipe square with pipe cutters. Chamfer the pipe with the beveler tool. Apply neutral lubricant on pipe.



Slacken the ring nut without removing from the body. Check that O-ring and split ring are in proper position.



Insert the pipe end without tightening the nut. Push the fitting until the pipe stops at the O-ring and then push it past the O-ring until it reaches the next stop.



Hand tighten the ring nut then tighten further with a strap / chain wrench.

Tools

We recommend these tools for proper installation:



Beveler

Local distributor:

Cepex Fittings & Valves are manufactured by Cepex Holding, S.A. and Internationally Distributed by THE LATERAL CONNECTION CORP.

TLC THE LATERAL CONNECTION CORP.

USA

PO Box 67
Tallmadge, OH 44278
Phone: 866-926-0187
Fax: 866-926-0472

Canada

27576 51A Ave
Langley, BC V4W 4A9
Phone: 604-856-7253 / 800-993-2599
Fax: 604-856-7260 / 888-302-7199