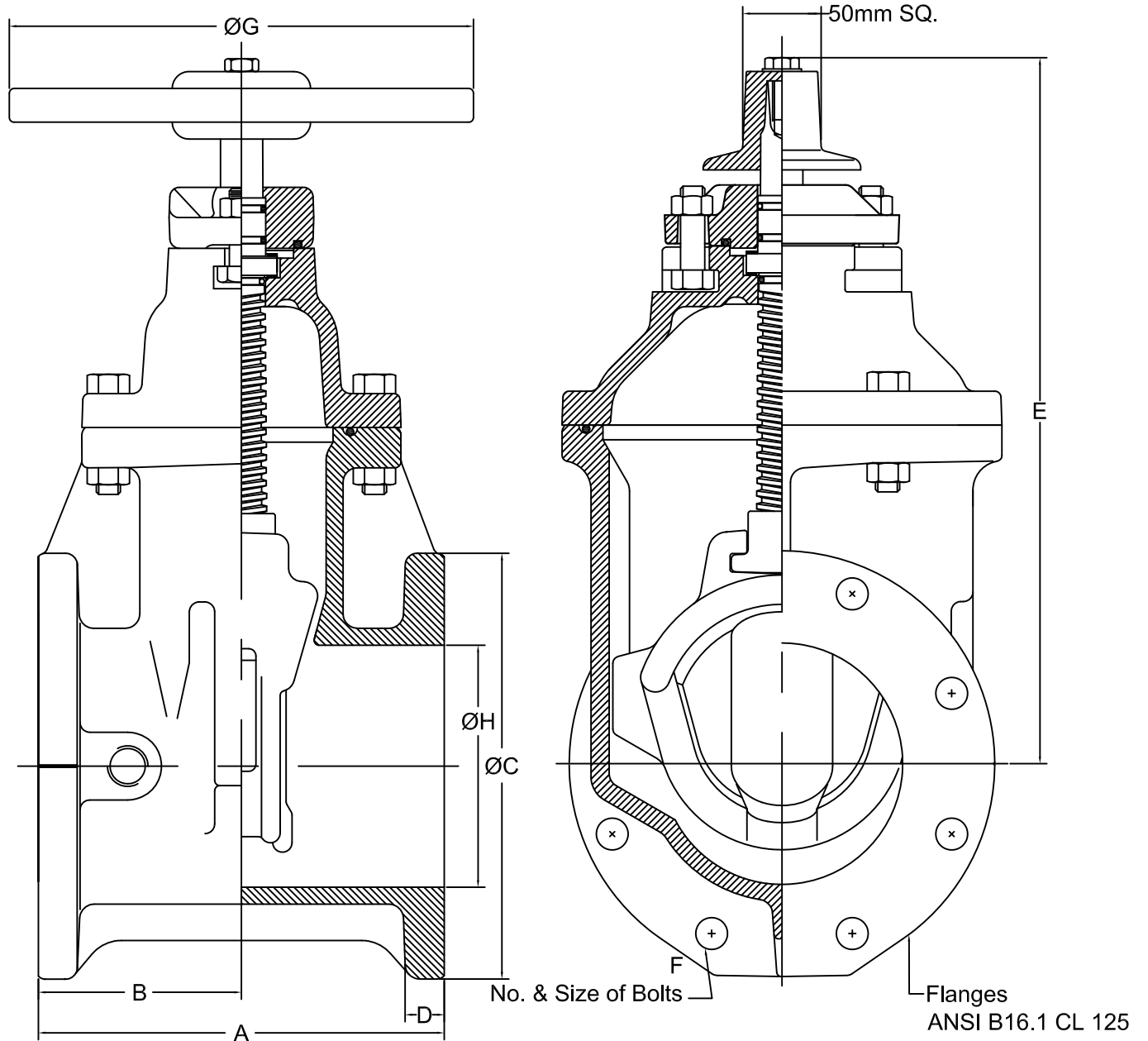


PROJECT	50 - 300 R/W VALVE NRS FLANGED ENDS GENERAL DIMENSIONS	
OWNER		
CONTRACTOR		
DISTRIBUTOR		F6102
CONSULTANT		COMPLIES WITH AWWA C509 / ULC & FM FUSION EPOXY - NSF 61 AND AWWA C550
<b>CLOW CANADA</b>		



METRIC DIMENSIONS								
VALVE SIZE	A	B	C	D	E	F	G	H
50	180	90	150	16	275	4-5/8	185	50
62.5	190	95	180	18	290	4-5/8	185	62.5
75	200	100	190	19	315	4-5/8	250	75
100	230	115	230	23	375	8-5/8	250	108
150	265	130	280	25	480	8-3/4	300	160
200	290	145	340	28	570	8-3/4	350	210
250	330	165	400	30	670	12-7/8	450	260
300	350	180	480	32	750	12-7/8	450	310

