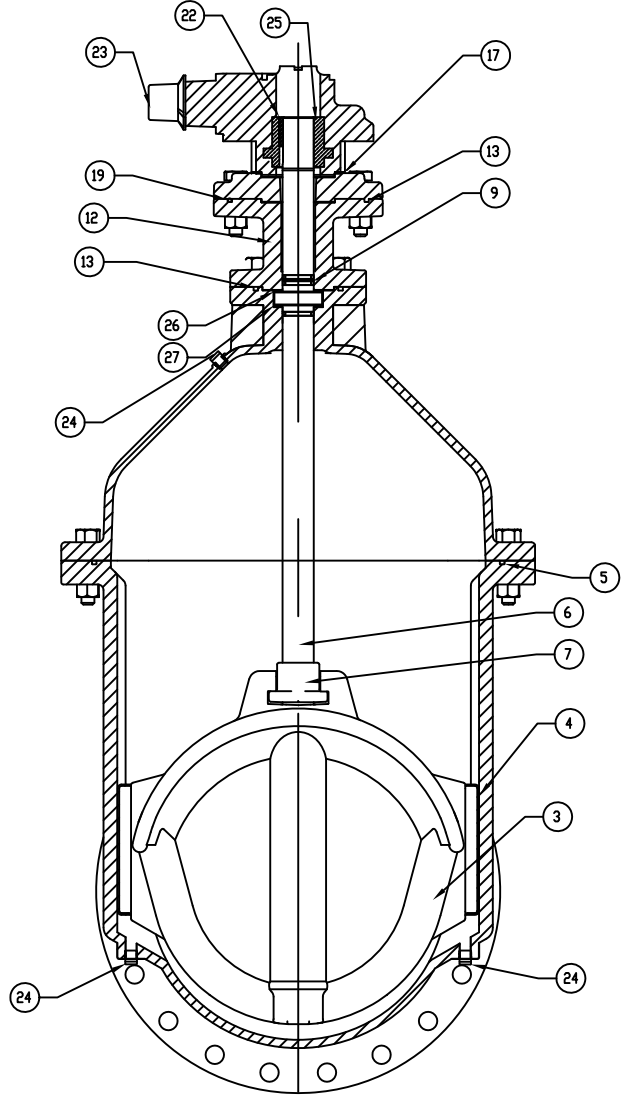
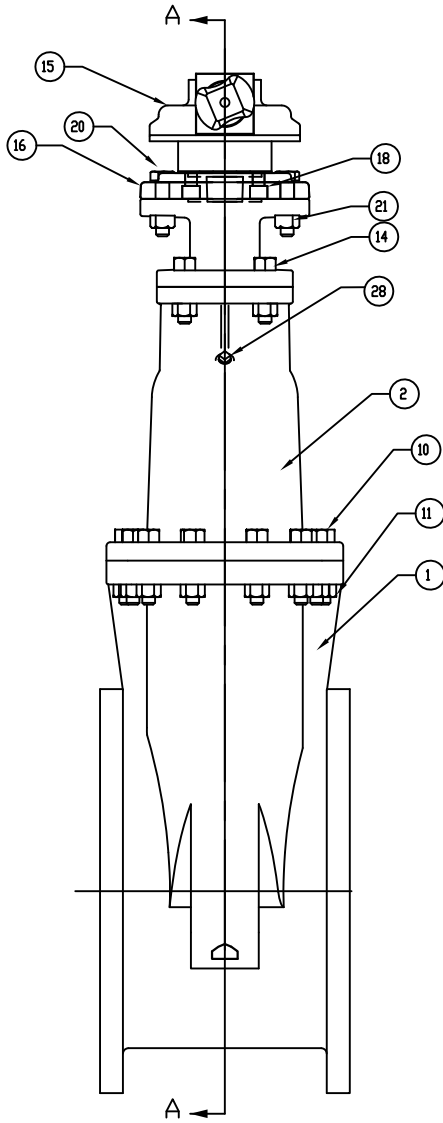


| |
|--------------------|
| PROJECT |
| OWNER |
| CONTRACTOR |
| DISTRIBUTOR |
| CONSULTANT |
| CLOW CANADA |

350mm - 500mm R/W VALVE BEVEL GEAR
W/CLEANOUTS
MATERIAL LIST
F6100
FUSION EPOXY - NSF 61 AND AWWA C550
COMPLIES WITH AWWA C515



| ITEM NO. | DESCRIPTION | MATERIAL | MATERIAL SPECIFICATION |
|----------|--------------------------------------|----------------------------|------------------------|
| 1 | Body | Ductile Iron | ASTM A536 65-45-12 |
| 2 | Cover | Ductile Iron | ASTM A536 65-45-12 |
| 3 | Wedge | Ductile Iron/Rubber | ASTM A536 65-45-12/SBR |
| 4 | Wedge Cap (18"-24" only) | Delrin | Delrin |
| 5 | Oring | Rubber | NBR |
| 6 | Stem | Bronze | ASTM B584 C86700 |
| 7 | Stem Nut | Bronze | ASTM B584 C86700 |
| 9 | Oring | Rubber | NBR |
| 10 | Hex Head Bolt | Zinc Chromate Plated Steel | ASTM A307 Gr B |
| 11 | Hex Nut | Zinc Chromate Plated Steel | ASTM A307 Gr B |
| 12 | Extension | Ductile Iron | ASTM A536 65-45-12 |
| 13 | Oring | Rubber | NBR |
| 14 | Hex Head Bolt | Zinc Chromate Plated Steel | ASTM A307 Gr B |
| 15 | Actuator - 3:1 (18-24") 2:1 (14-16") | | |
| 16 | Adaptor Plate | Ductile Iron | ASTM A536 65-45-12 |
| 17 | Actuator Gasket | Rubber | NBR |
| 18 | Socket Head Bolt | Alloy Steel | Alloy Steel |
| 19 | Oring | Rubber | NBR |
| 20 | Hex Bolt | Zinc Chromate Plated Steel | ASTM A307 Gr B |
| 21 | Hex Nut | Zinc Chromate Plated Steel | ASTM A307 Gr B |
| 22 | Key | Stainless Steel | ----- |
| 23 | Op Nut | Ductile Iron | ASTM A536 65-45-12 |
| 24 | Pipe Plug - 3/4" NPT with SQ. Head | Steel | AISI 304 |
| 25 | Drive Sleeve | Steel | AISI 1023 |
| 26 | Thrust Bearing | Delrin | ----- |
| 27 | Thrust Bearing (18"-24" only) | Delrin | ----- |