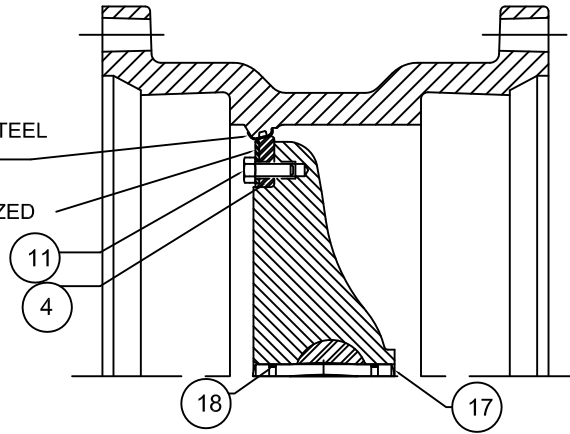


304 STAINLESS STEEL
BODY SEAT
304 STAINLESS STEEL
CLAMP RING VULCANIZED
TO SEAT



SECTION A-A

ITEM #	DESCRIPTION	MATERIAL
1	BODY, VALVE	DUCTILE IRON ASTM A-536 GR. 70-50-05
2	VANE	DUCTILE IRON ASTM A-536 GR. 70-50-05
3	COVER, END	CAST IRON, A-126, CLASS B
4	SEAT RING, VANE	BUNA "S" WITH 304 STAINLESS STEEL INSERT
5	SHAFT	TYPE 630, CONDITION H1100 STN. STL. ASTM A-564
6	O-RING, BODY	BUNA "N"
7	BEARING, BODY	EPOXY FIBERGLASS WITH TEFLON LINER
8	STUD	STEEL, ASTM A-307, ELCTRO ZINC PLATED
9	NUT, HEAVY HEX	STEEL, ASTM A-563, GRADE A, ELCTRO ZINC PLATED
10	SOCKET SCREW, FLAT HEAD HEX	STAINLESS STEEL, 18-8
11	CAPSCREW, HEX	STAINLESS STEEL, 18-8 WITH NYLOK INSERT
12	CAPSCREW, HEX	STEEL, ASTM A-307, ELCTRO ZINC PLATED
13	CARTRIDGE SEAL	UHMW (POLYEHTYLENE)
14	THRUST DISK	ACETEL
15	"O" RING CARTRIDGE, INSIDE	BUNA "N"
16	"O" RING CARTRIDGE, OUTSIDE	BUNA "N"
17	GROOVED PIN	393 STAINLESS STEEL
18	O-RING, GROOVED PIN	BUNA-N

PROJECT _____

OWNER _____

CONTRACTOR _____

DISTRIBUTOR _____

CONSULTANT _____